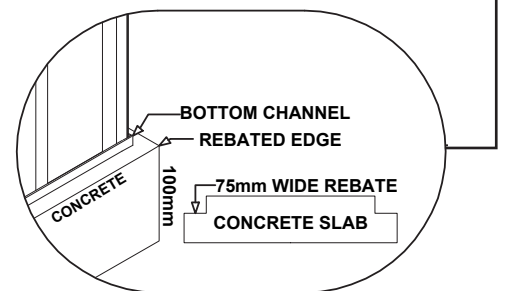



NOTE: This shed is not wind rated but can achieve wind rating: N2 as per AS4055-2021 with the additional purchase of a frame kit.


If you require a higher wind rating please contact us: admin@absco.com.au or 1800 029 701



When laying concrete slab, ensure there is a rebated edge 25mm deep around the perimeter. This will help water egress from the base of the shed.



**DOWNLOAD  
OUR APP FOR  
ASSEMBLY  
VIDEOS**



### PLEASE LEAVE A REVIEW

Tell us about your experience!  
Visit [www.absco.sheds.com.au/review](http://www.absco.sheds.com.au/review)

## GENERAL INSTRUCTIONS

- Before commencing any assembly, read through these instructions in detail to gain a thorough understanding of assembly methods and associated details.
- Unpack the carton and carefully identify and check off all the parts against the parts described and illustrated on "COMPONENTS PACKING LIST" pages.
- Local authority approval must be obtained prior to construction of the shed. Once you have selected your site you will need to lodge a site plan to your local council.

## SITE PREPARATION

- The site for the shed must be level. An uneven surface may result in misalignment of parts.
- The shed shall be erected on top of a reinforced concrete slab and anchored down appropriately illustrated on "FINAL CONSTRUCTION" page. **If using a rebated slab ensure that all frame uprights are trimmed 25mm.**

## TOOLS REQUIRED



## SAFETY NOTES


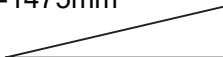

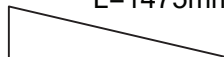




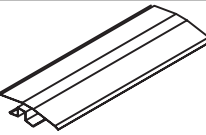
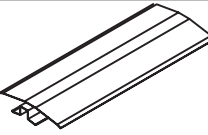
- Some parts may have sharp edges. It is advisable to wear gloves when handling these items and safety glasses if drilling holes. Sensible shoes are highly recommended.
- Do not erect your shed in windy conditions.
- It is highly recommended to erect the shed with two or more people.
- Do not sit, stand or walk on the roof of your shed.

## RECOMMENDED



**COMPONENT PACKING LIST**


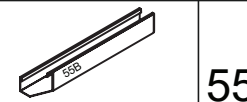
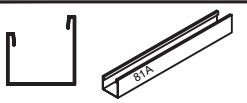
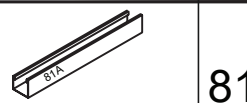
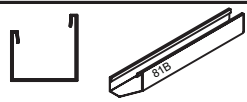
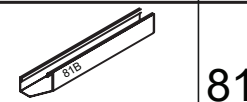
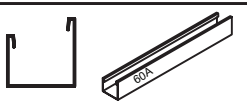
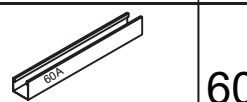

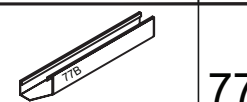
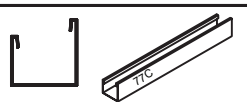
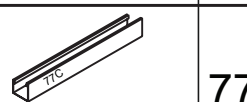
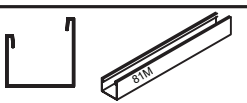


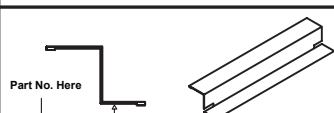
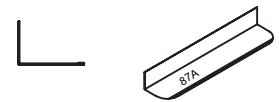
Check off all components.

MAIN PACK CARTON							
QTY	COMPONENT DESCRIPTION	PART No.	CHECK	QTY	COMPONENT DESCRIPTION	PART No.	CHECK
6	 STEEL SHEET 2034mm X 773mm	H30		2	GABLE L/H L=1475mm 	16L	
6	 STEEL SHEET 2034mm X 773mm	H31		2	GABLE R/H L=1475mm 	16R	
8	 STEEL SHEET 1546mm X 773mm	45A		2	 BRACE L= 393mm	13A	
2	 STEEL SHEET 2034mm X 329mm	H39B		1	 RIDGE BEAM JOINER L: 450mm (17.7")	ZARSP	
1	 RIDGE BEAM L = 1521mm	97AR		1	 RIDGE BEAM L = 1521mm	97AL	
1	FITTINGS & ACCESSORIES PACKET			1	CHANNEL SET		

Nominal sheet widths are shown. +/- 2mm is within tolerance.

**COMPONENT PACKING LIST**


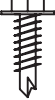
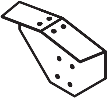
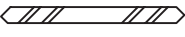




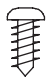

Check off all components.

CHANNEL SET							
QTY	COMPONENT DESCRIPTION	PART No.	CHECK	QTY	COMPONENT DESCRIPTION	PART No.	CHECK
2	 CHANNEL L = 1496.5mm	55BL		2	 CHANNEL L = 1496.5mm	55BR	
3	 CHANNEL L = 1496.5mm	81AL		3	 CHANNEL L = 1496.5mm	81AR	
2	 CHANNEL L = 1496.5mm	81BL		2	 CHANNEL L = 1496.5mm	81BR	
2	 CHANNEL L = 1496.5mm	60AL		2	 CHANNEL L = 1496.5mm	60AR	
1	 CHANNEL L = 1496.5mm	77BL		1	 CHANNEL L = 1496.5mm	77BR	
1	 CHANNEL L = 1496.5mm	77CL		1	 CHANNEL L = 1496.5mm	77CR	
2	 CHANNEL L = 329mm	81M		2	 Part No. Here JAMB L= 2034mm	HJ2	
1	 Part No. Here JAMB L= 1537mm	93L		1	 Part No. Here JAMB L= 797mm	93R	
4	 LIP TRIM L= 1546mm	87A					



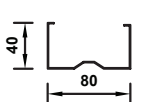
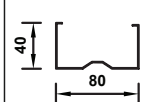
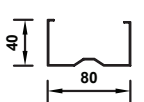
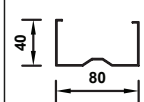
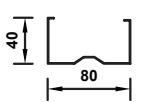
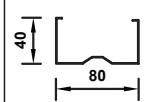
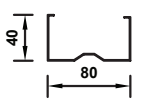
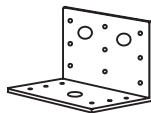
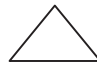
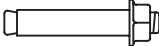

## COMPONENT PACKING LIST

Check off all components.

FITTINGS & ACCESSORIES PACKET CONTENTS							
QTY	COMPONENT DESCRIPTION	PART No.	CHECK	QTY	COMPONENT DESCRIPTION	PART No.	CHECK
<b>2</b>	 CAP GABLE L: 170mm	<b>14A</b>		<b>24</b>	 SELF DRILLING HEX HEAD TEK SCREW 15MM LONG	FAST035	
<b>1</b>	 RIDGE PLATES	<b>RBP</b>		<b>1</b>	 3mm (0.12") DRILL BIT		
<b>11</b>	 CHANNEL JOINER L= 200mm (7.9")	<b>CSJ</b>		<b>1</b>	 HEX TEK SCREW DRIVER BIT		
<b>12</b>	 SELF DRILLING HEX HEAD TEK SCREW 45MM LONG	FAST019		<b>1</b>	 PHILLIPS HEAD DRIVER		
<b>1</b>	 8G x 3/8 SELF TAPPING SCREWS 220 PK	FAST001		<b>1</b>	 8G x 3/8 SELF TAPPING SCREWS 100 PK	FAST001	

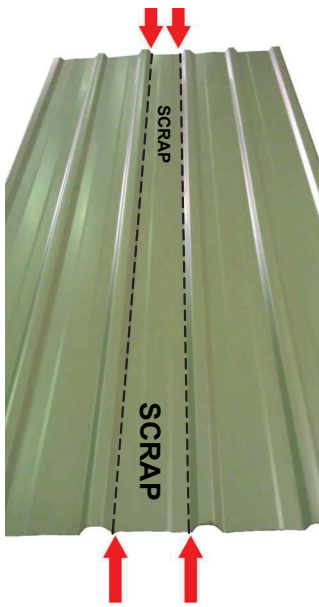
## COMPONENT PACKING LIST

Check off all components.

HIGH GARAGE-FRONT FRAME PACK							
QTY	COMPONENT DESCRIPTION	PART No.	CHECK	QTY	COMPONENT DESCRIPTION	PART No.	CHECK
<b>2</b>	 CHANNEL L = 2300mm	<b>C2300</b>		<b>10</b>	 CHANNEL L = 285mm	<b>K0285</b>	
<b>2</b>	 CHANNEL L = 2070mm	<b>N2070</b>		<b>2</b>	 CHANNEL L = 240mm	<b>C0240</b>	
<b>2</b>	 CHANNEL L = 2034mm	<b>C2034</b>		<b>2</b>	 CHANNEL L = 100mm	<b>C0100</b>	
<b>2</b>	 CHANNEL L = 1484mm	<b>M1484</b>		<b>1</b>	HIGH-FRONT FRAME FITTINGS PACK (SEE BELOW)		
HIGH-FRONT FRAME FITTINGS PACK CONTENTS							
<b>10</b>	 MULTI PURPOSE BRACKET			<b>1</b>	 SMALL TRIANGULAR PLATE		
<b>6</b>	 10mm DYNABOLTS			<b>150</b>	 SELF DRILLING 16mm TEK SCREWS		
ROLLER DOOR PACK							
<b>1</b>	ROLLER SHUTTER UNIT WITH TRACKS						

## Guide on Splitting Sheets

- This product comes with a perforated sheet that is designed to be split into two smaller sheets.
- **These sheets have sharp edges. Once separated please use appropriate foot and hand protection when handling.**
- In order to split the sheet lay it on the ground and lift and fold one end until the perforations have cleanly snapped.
- Discard the middle piece as scrap when convenient. Fold the scrap piece in half two or three times and throw in garbage.



Check sheet for perforations





Fold first side of sheet until free



Fold middle section of sheet until free



Discard middle piece

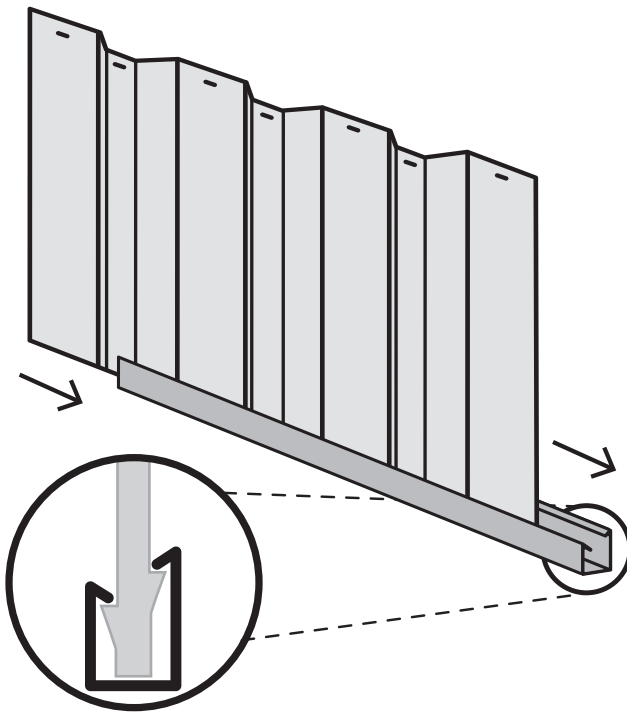
SPLITTING SHEET H39						
QTY	COMPONENT DESCRIPTION	PART No.		QTY	COMPONENT DESCRIPTION	PART No.
1	 STEEL SHEET 2034mm X 773mm	H39	=	2	 STEEL SHEET 2034mm X 329mm	H39B

## SNAPTITE ASSEMBLY GUIDE

The Snaptite Assembly System locks end channels to all roof and wall sheets without the need for tools and fasteners.

To assemble each panel, the perimeter channels are secured to the top and bottom of each panel. Gently tap the channel over the SNAPTITE lugs on the sheet, working along the sheet.

Each perimeter channel must finish flush with the edges of the sheets. Simply tap the channel along the sheets until each end is neatly flush. If you need to remove channels from the panels, slide it off from the side.



**SNAPTITE**  
World's Easiest Assembly System  
*UNIQUE PATENTED SYSTEM*

Channel locks the shed panel into position without the need for screws!

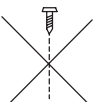
### FASTENING SYMBOLS

 SNAPTITE

Secure channel to sheeting by SNAPTITE fastening method.



Join components together with one screw at this location only, as some channels have extra holes that are not required for this model of shed.



Do not join components together at this location yet, as the screws may obstruct further assembly of the other components.



Join components together by pre-drilling the holes first. Use one component as template to mark where the holes are and drill with a 3mm drill bit.



3mm pop rivet



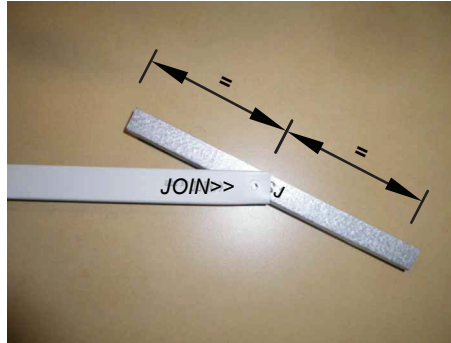
4mm nut and bolt set.

### Guide on Joining Spliced Channels

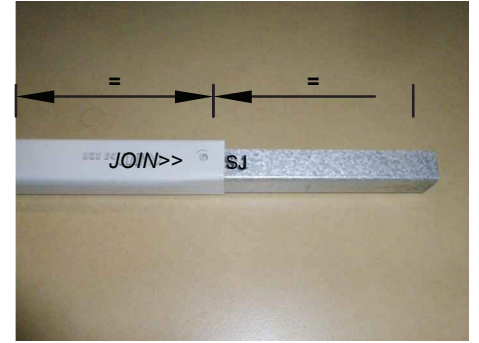
The text marked on all parts must be shown on the same side as each other



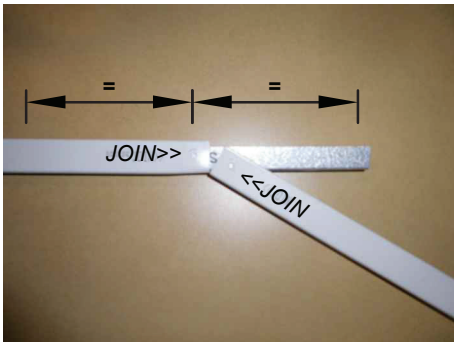
**Step 1.**  
Position the channels and the CSJ joiner so the centre of the CSJ is in line with the end of each channel to be joined together.



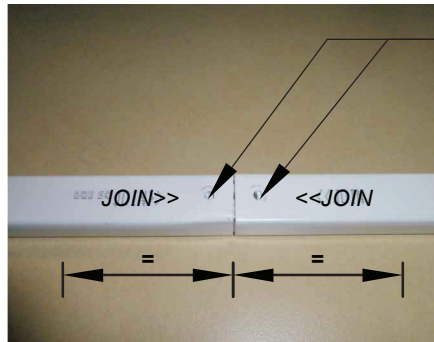
**Step 2.**  
Join the first channel to the CSJ by inserting the centre of the CSJ, on an angle, to the end of the channel where the JOIN>> text is marked.



Push down one side of the CSJ until you hear a 'click'.

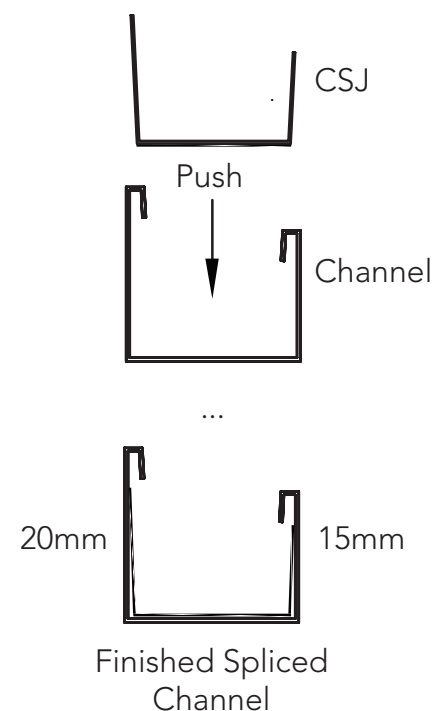


**Step 3.**  
Join the second channel to the CSJ by positioning the <<JOIN of the channel at the centre of the CSJ, on an angle. Push the CSJ into the channel until you hear a 'click'.



**Finished Channel.**  
The joined channels should now look like the picture with the CSJ positioned equally inside of the joined channels.

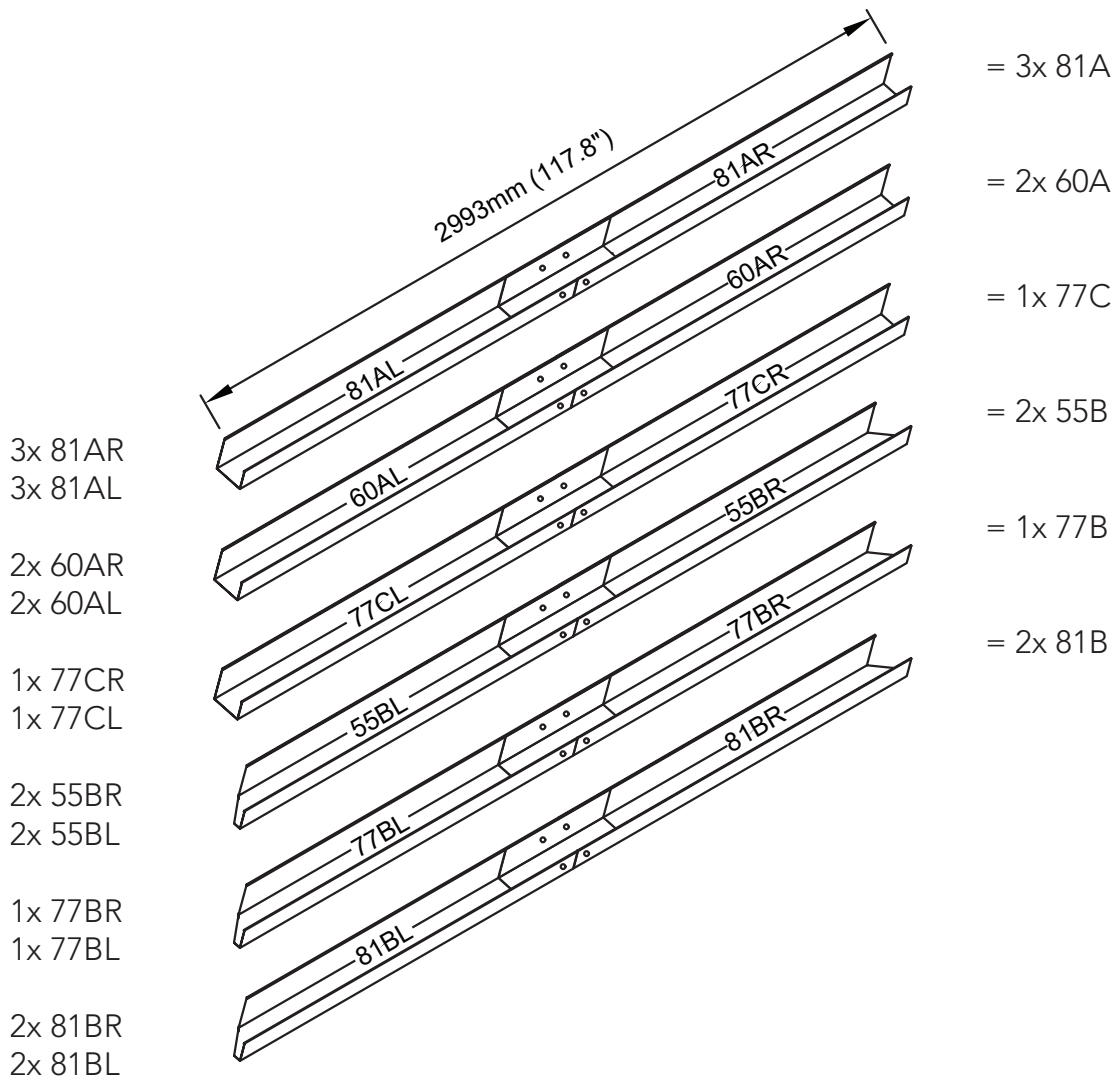
Drill out holes with 3mm drill bit in CSJ to match the holes in channel. Drilling of screws on the joined channels is being done after sheets are locked on the spliced channels.



## PRE-ASSEMBLY OF SPLICED CHANNELS

Join together 22x channel sections using 11x channel joiners (Part CSJ)

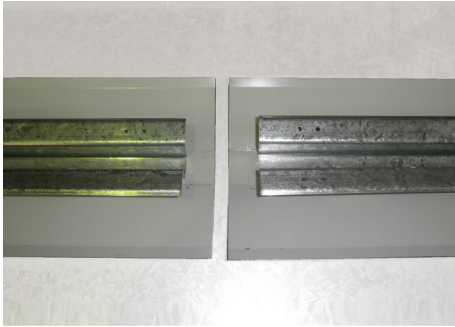
NOTE: Some channels may have holes in them - You will need to redrill holes where CSJ joining channel covers them.



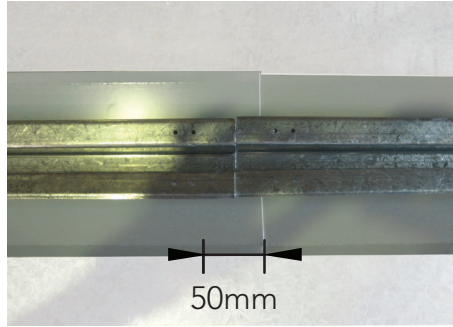


## Guide on Joining a Spliced Ridge Beam

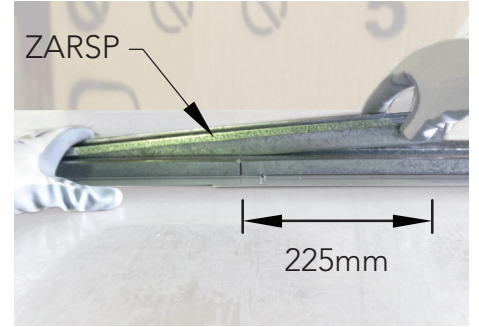
Follow these three steps to assemble a ridge beam.



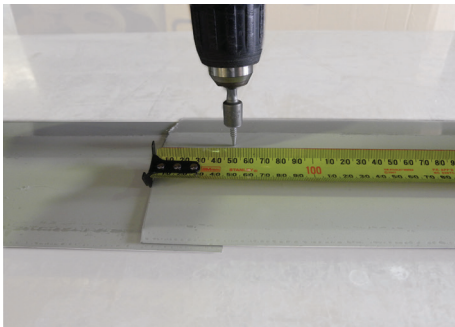
**Step 1.**  
Place two ridge beams as shown and push them together. Slide the cap of one under the other.



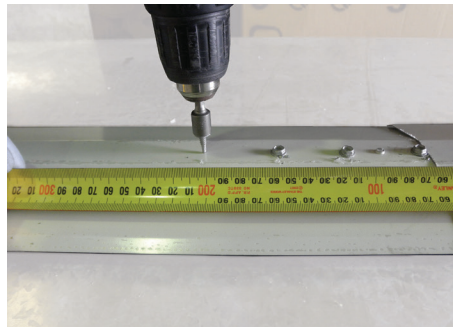
**NOTE.**  
There is a 50mm overlap of the ridge caps when the beams are in position.



**Step 2.**  
Use the ZARSP to connect at the centre of the two ridge beams. Be sure it is pushed in fully.

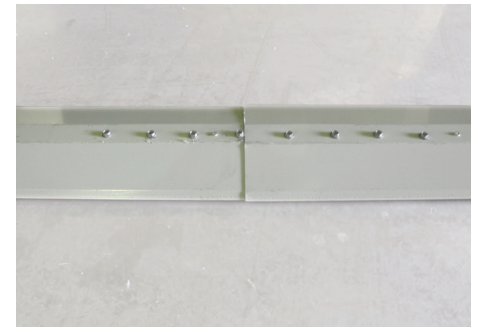


**Step 3.**  
Turn over the ridge beam. Measure 250mm from the middle along the centre of one ridge beam, mark spacings of 50mm. Fasten with a Tek screw at each marking.

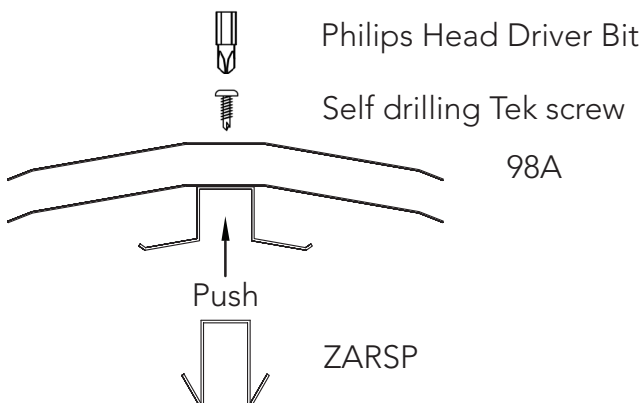


Repeat to the other side of the ridge beam assembly.

**TIP:** Pre-drilling each hole with the 3mm drill bit makes it easier to fasten.



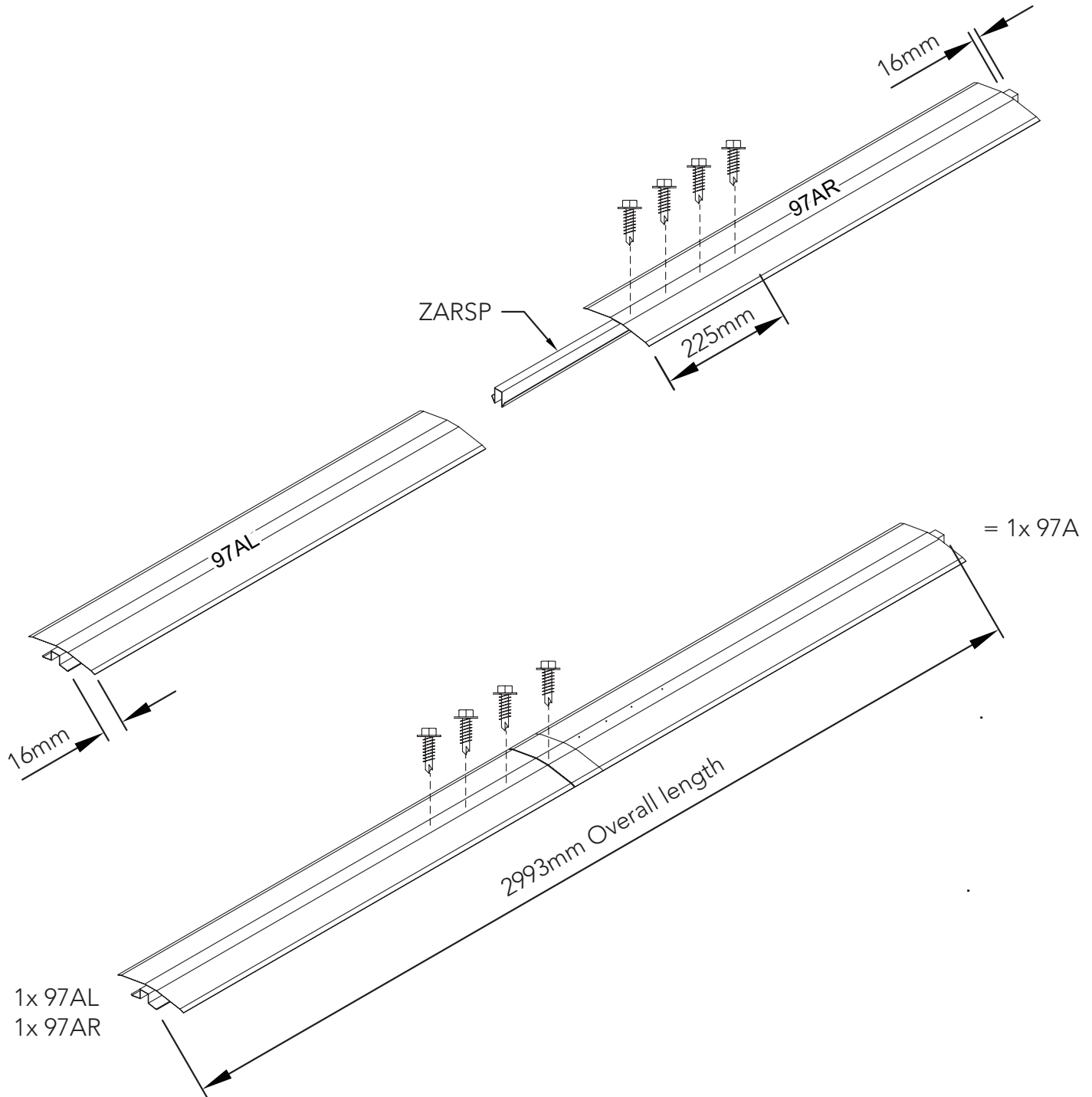
Finished Spliced Ridge Beam



Finished  
Joined Ridge Beams

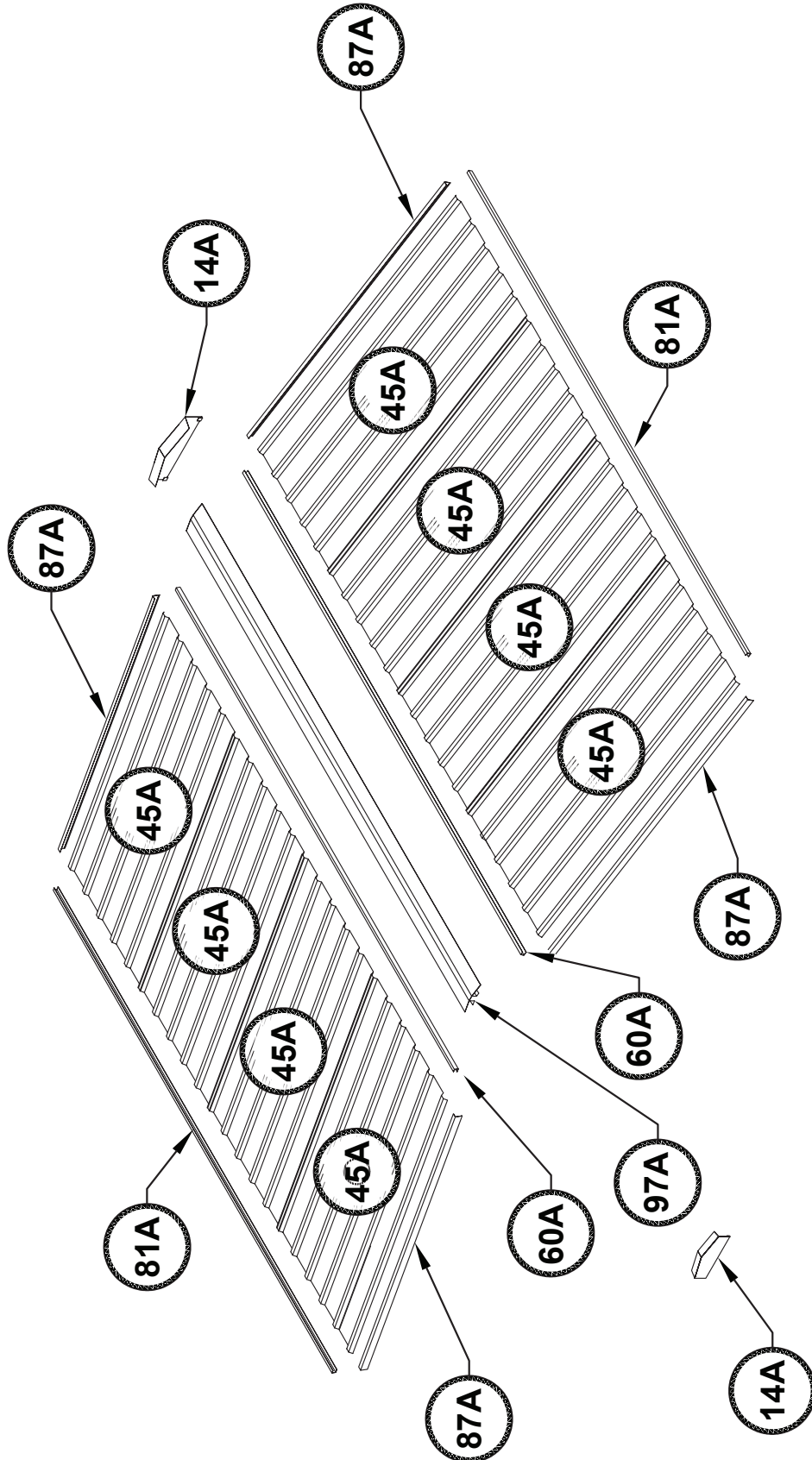
**PRE-ASSEMBLY OF SPLICED RIDGE BEAM**

1 required.





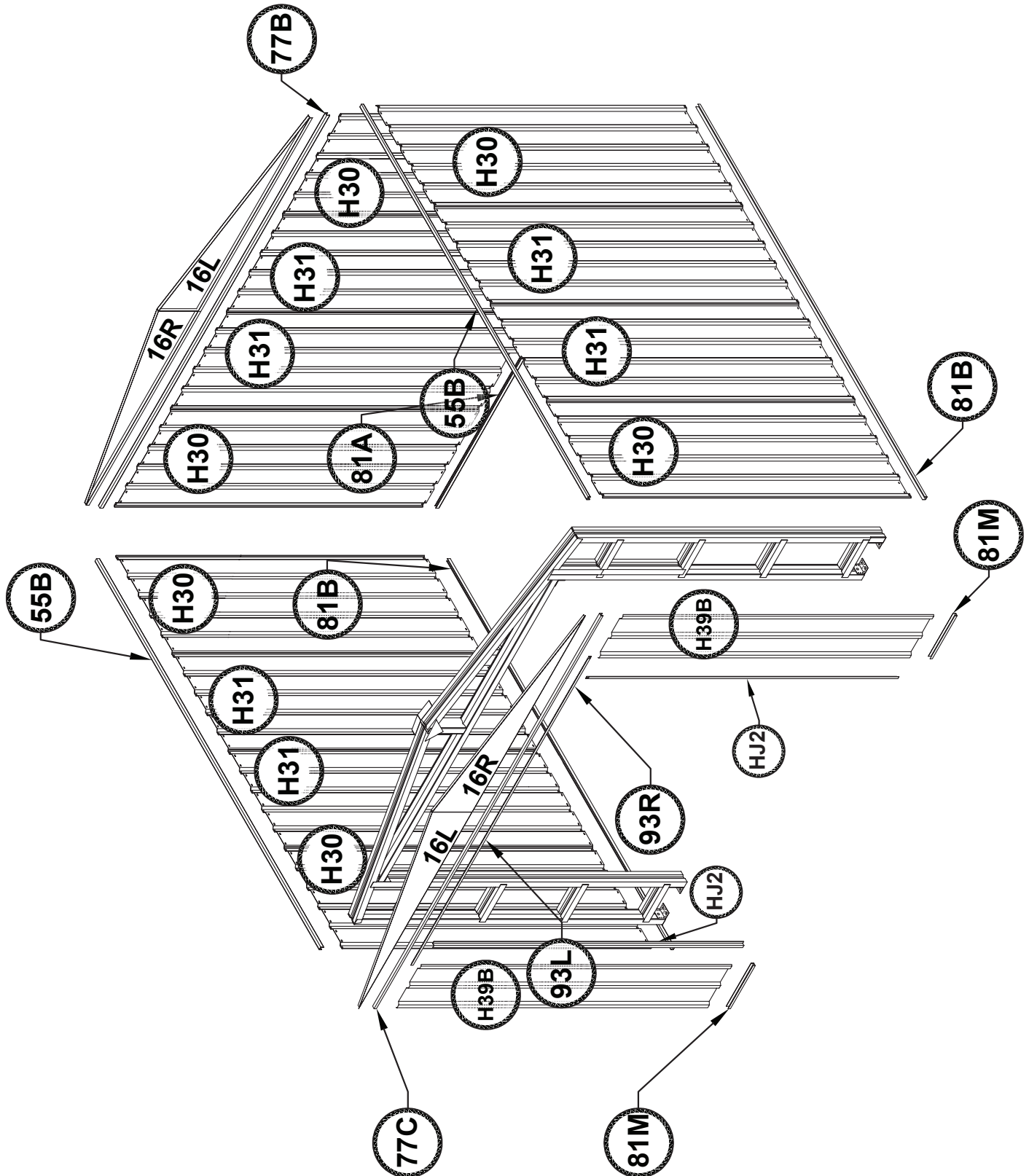
OVERVIEW OF ROOF COMPONENTS



OVERVIEW OF ROOF COMPONENTS

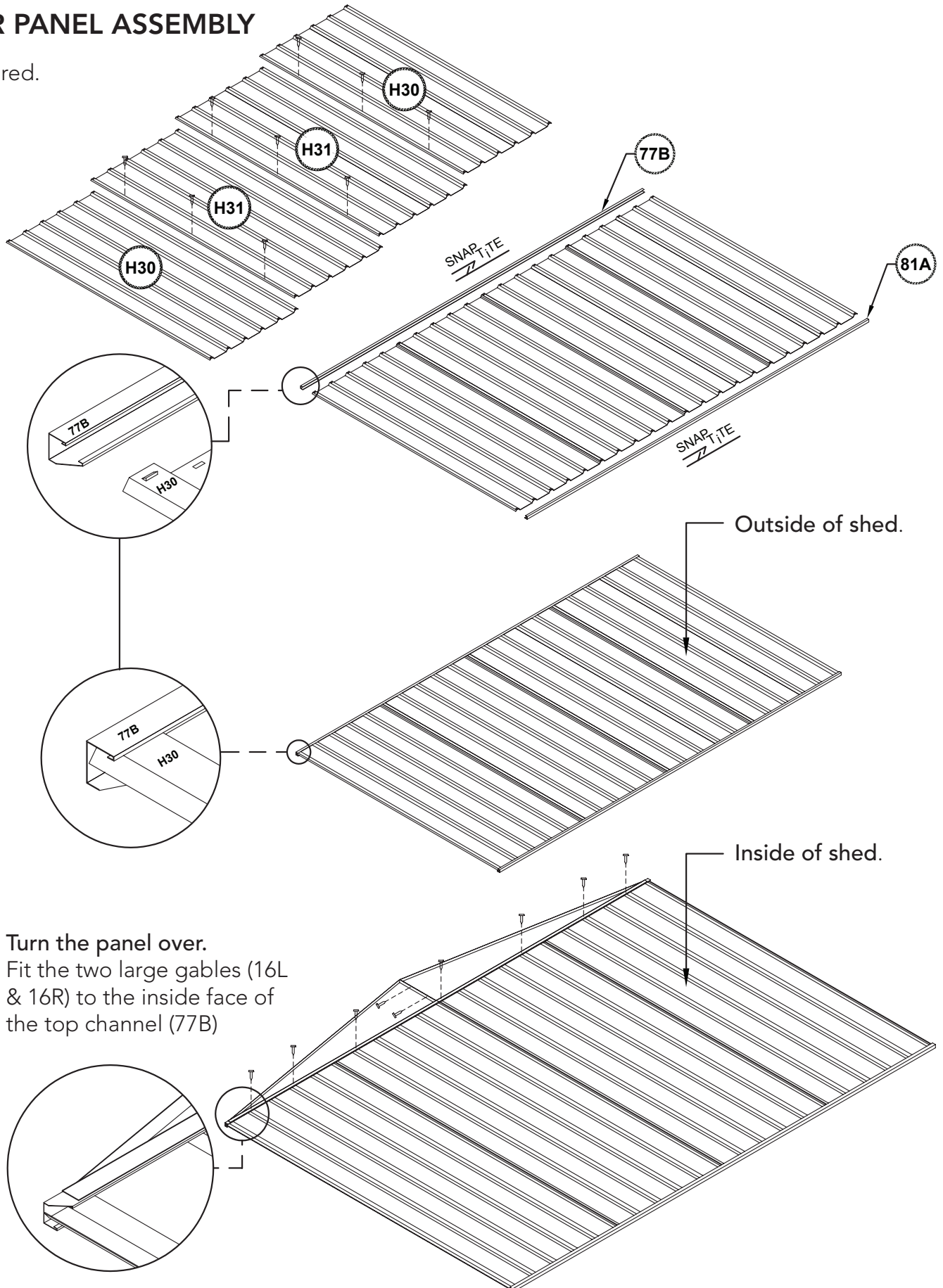
OVERVIEW OF WALL COMPONENTS

OVERVIEW OF WALL COMPONENTS



## REAR PANEL ASSEMBLY

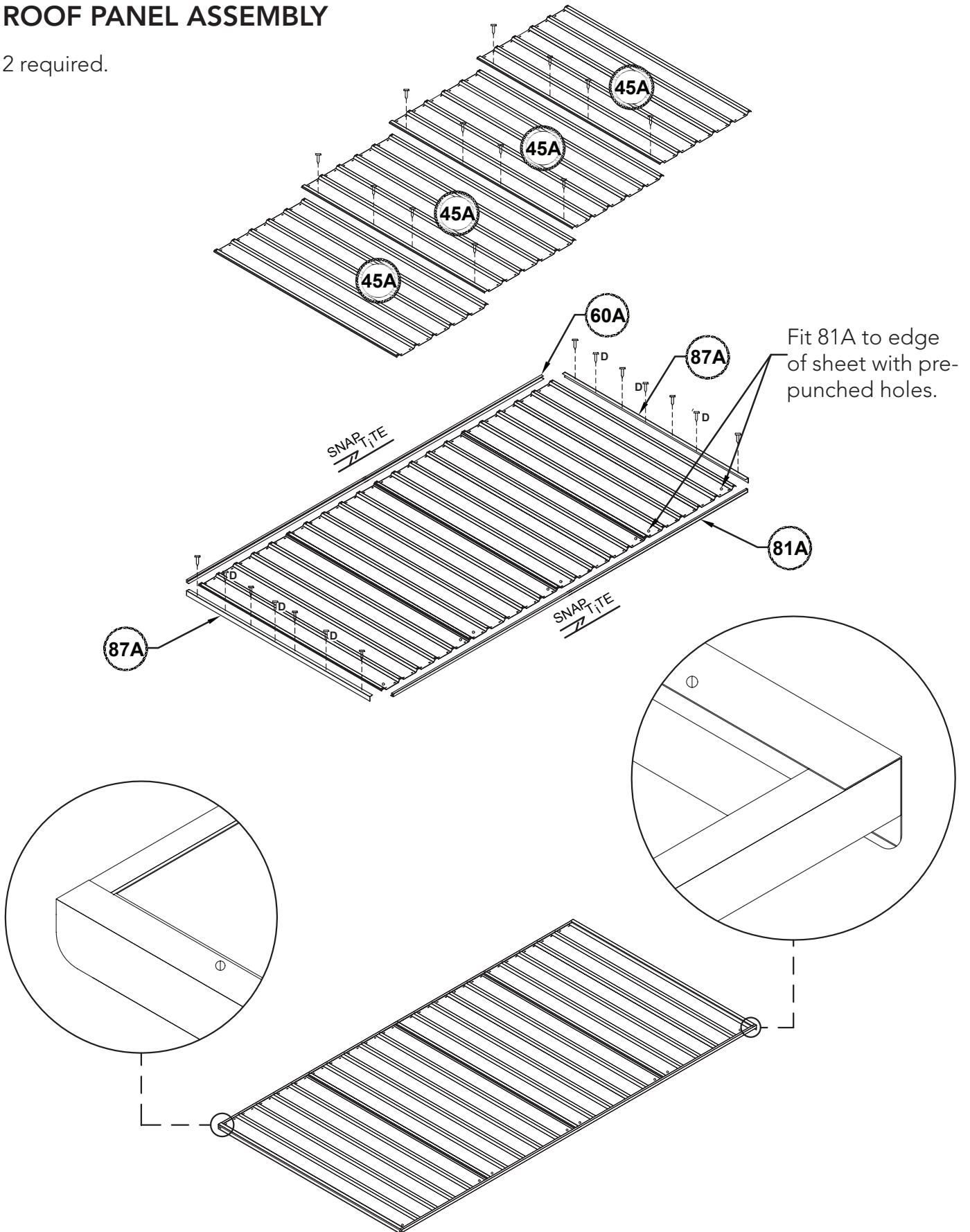
1 required.



Turn the panel over.  
Fit the two large gables (16L  
& 16R) to the inside face of  
the top channel (77B)

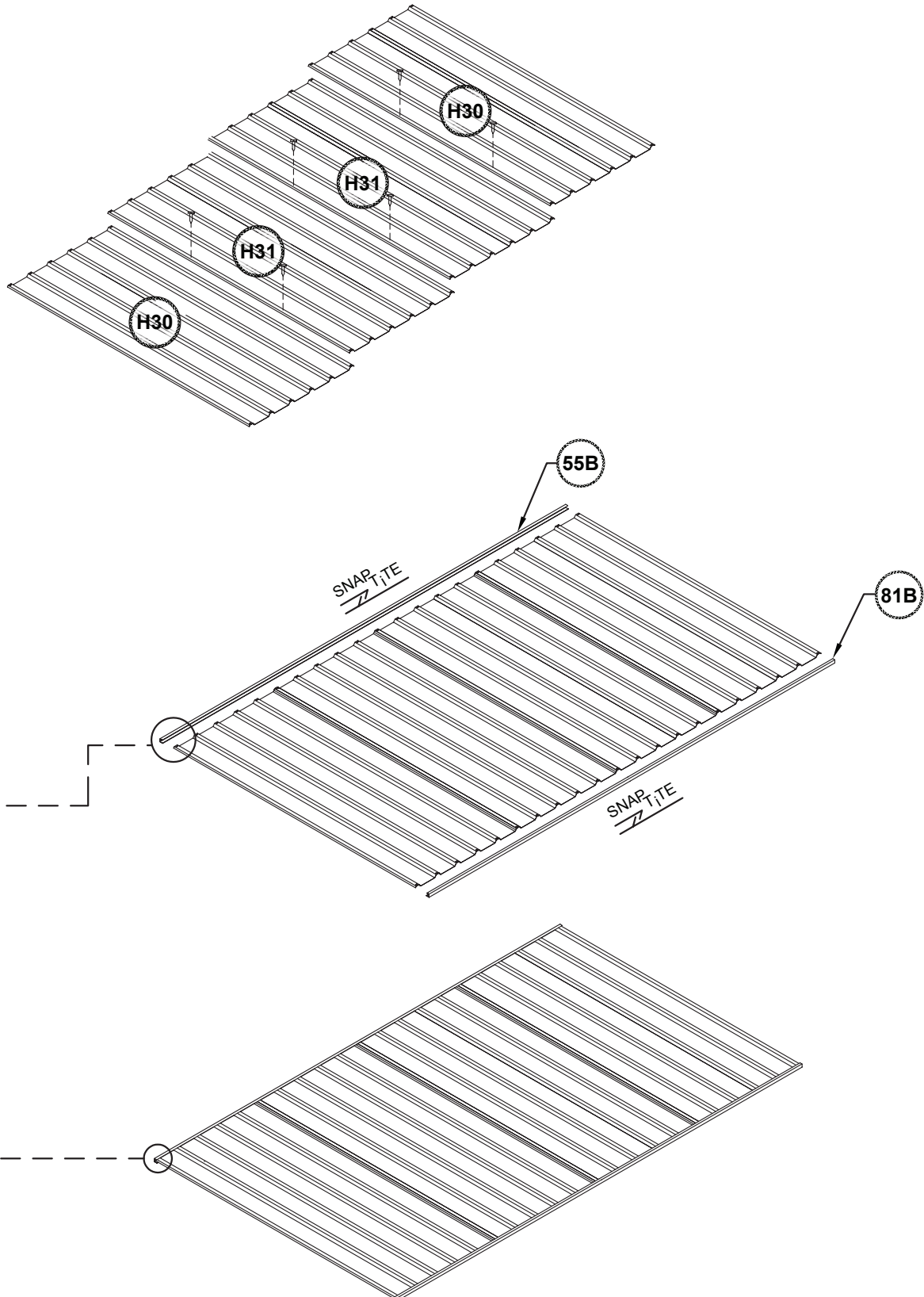
**ROOF PANEL ASSEMBLY**

2 required.



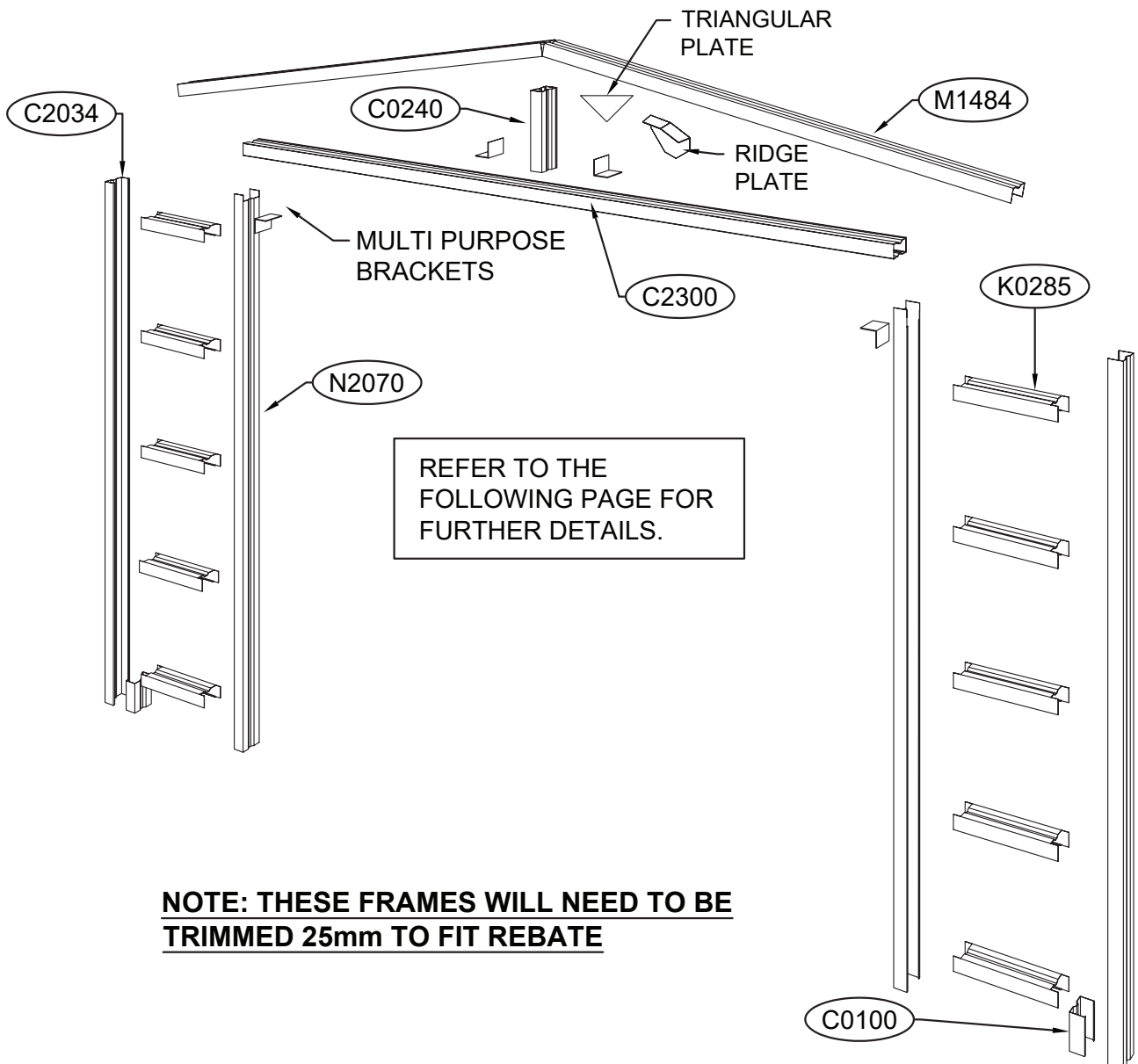
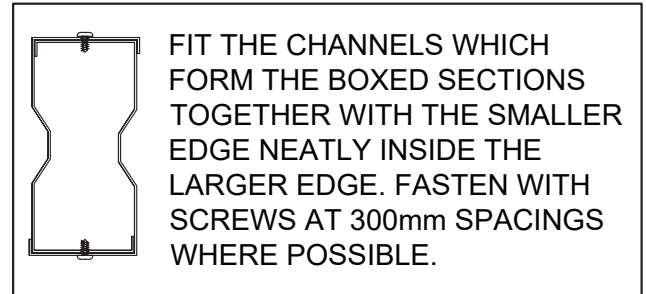
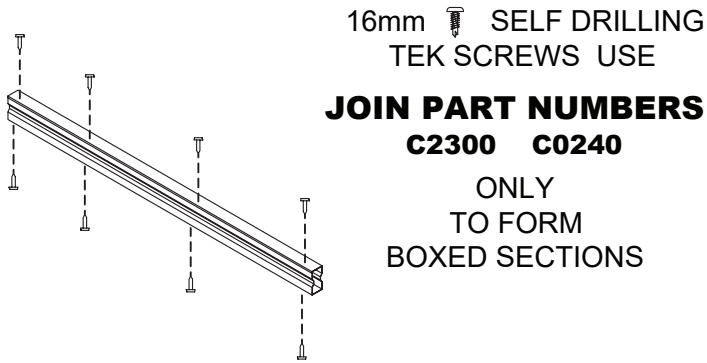
**SIDE PANEL ASSEMBLY**

2 required.



## HIGH FRONT FRAME ASSEMBLY

STEP 1 of 2

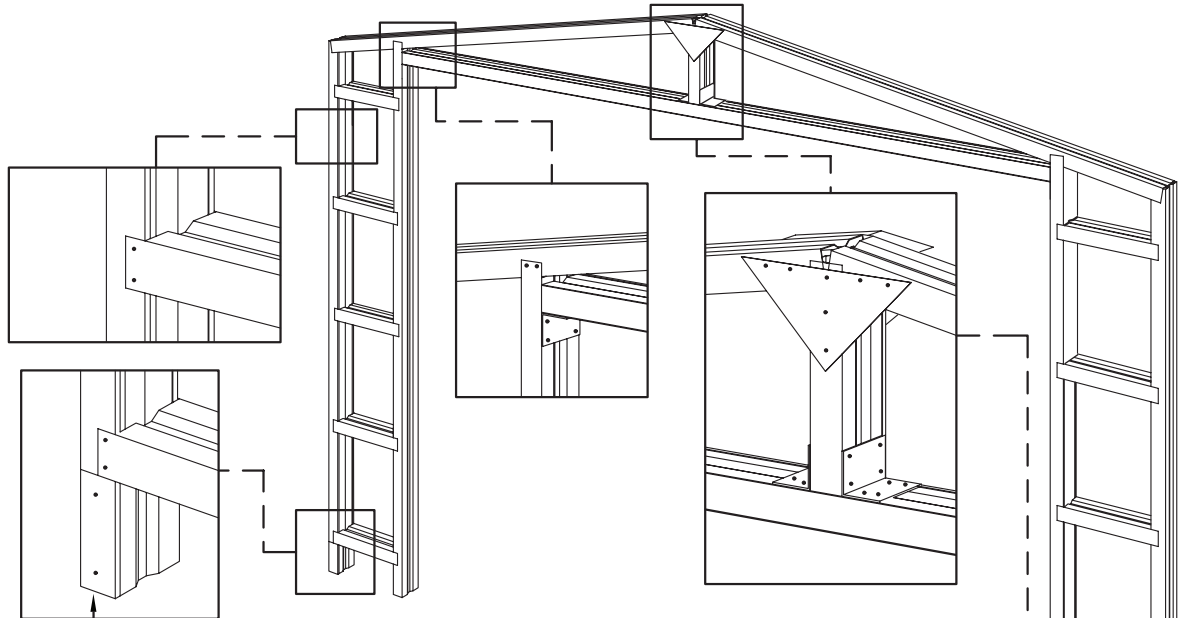


**NOTE: THESE FRAMES WILL NEED TO BE TRIMMED 25mm TO FIT REBATE**



## HIGH FRONT FRAME ASSEMBLY

STEP 2 of 2.

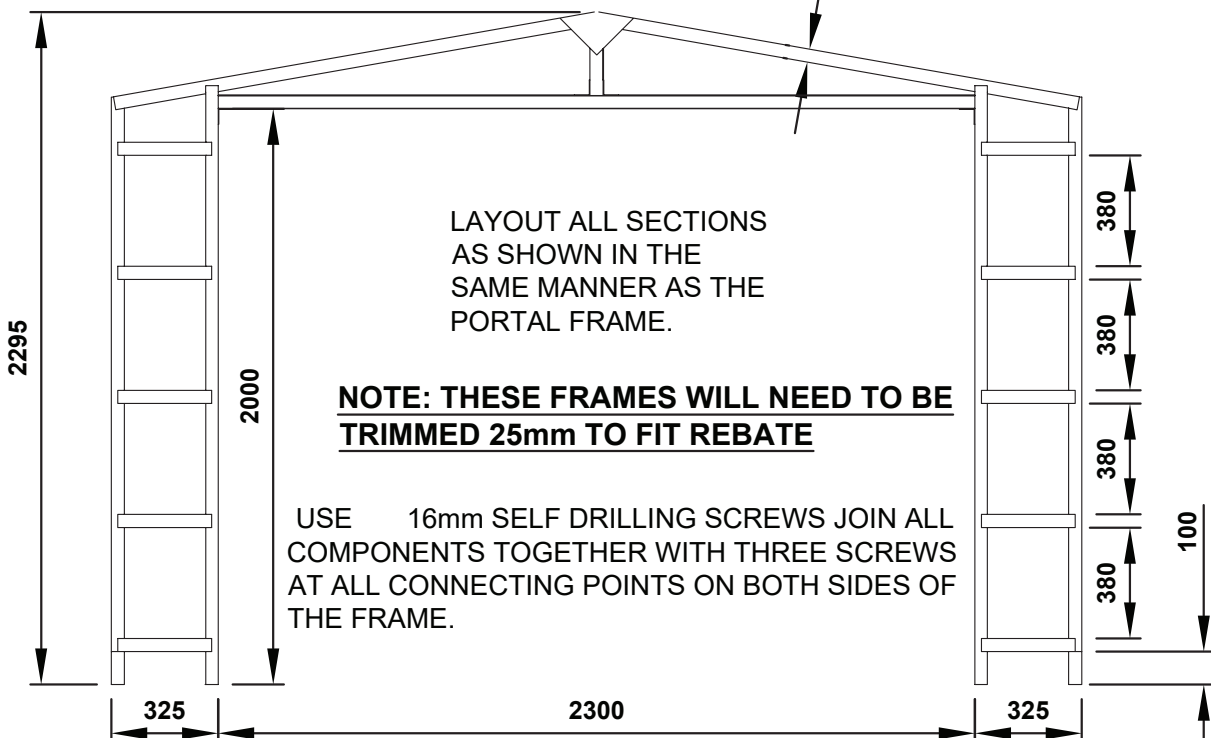


FIT ONE 100mm CHANNEL SECTION (C0100) TO BOX THE BASE OF EACH OUTSIDE LEG AS SHOWN. THESE WILL LATER BE USED FOR SECURING THE FRAME TO THE CONCRETE SLAB.

SECURE THE SMALL TRIANGULAR PLATE TO THE EXTERIOR SIDE OF THE FRAME.

SECURE THE RIDGE PLATE TO THE INTERIOR SIDE OF THE FRAME.

40mm ALL SECTIONS



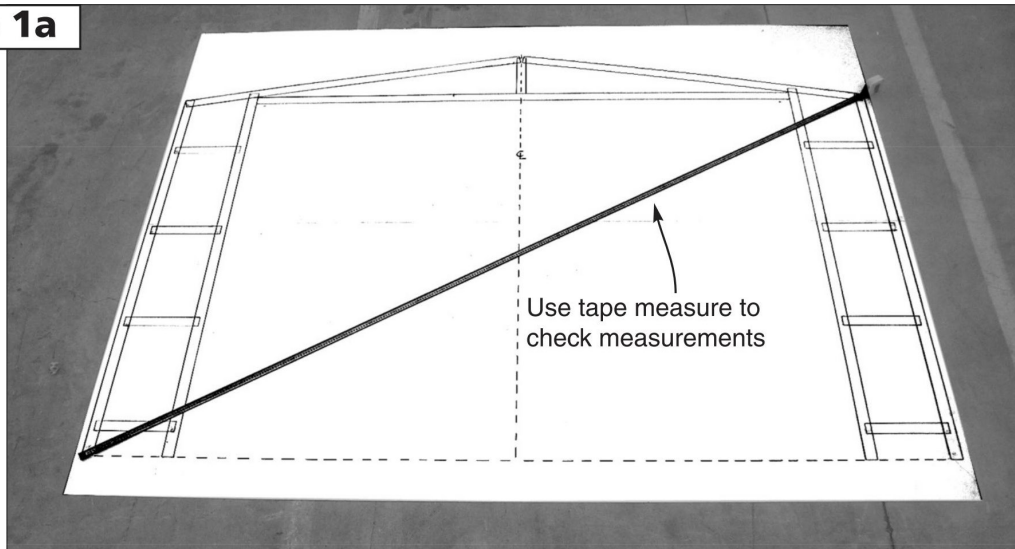
NOTE: IF YOU HAVE AN EDGE REBATE IN YOUR CONCRETE SLAB, YOU WILL HAVE TO CUT AN AMOUNT OFF THE BOTTOM OF THE FRAME LEGS EQUAL TO THE DEPTH OF THE REBATE.

## HIGH FRONT FRAME ASSEMBLY SUPPORT PHOTOS

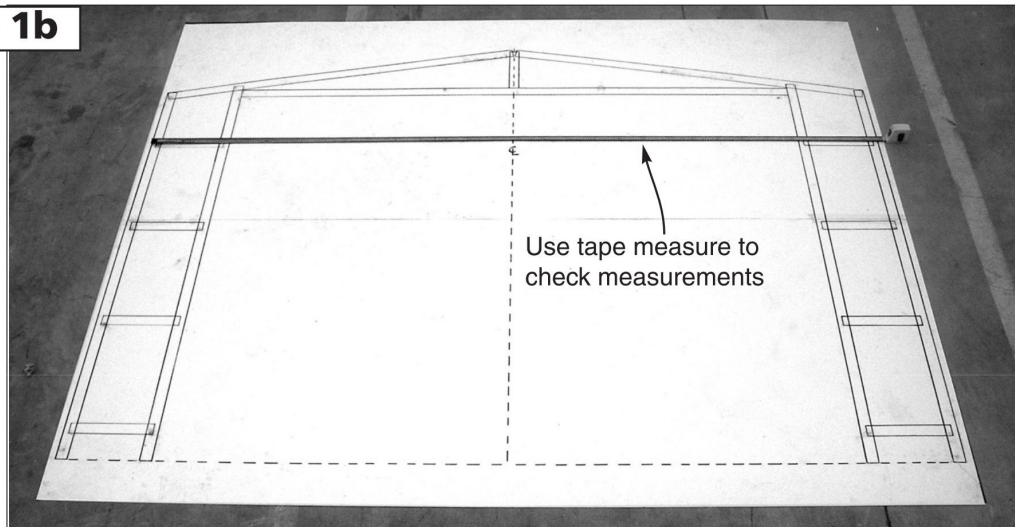
### STEP 1.

Draw pattern on the concrete in accordance with the dimensions detailed in the assembly instructions.

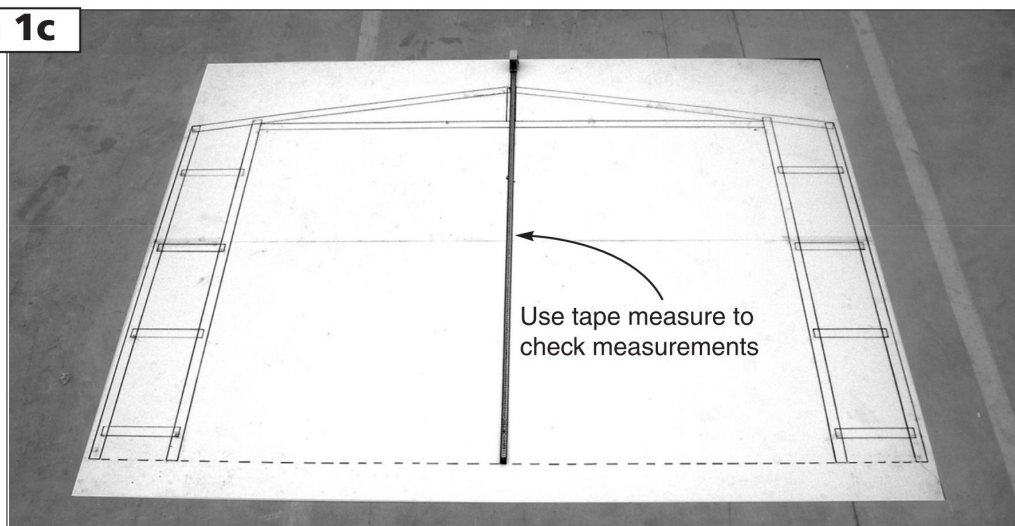
#### Step 1a



#### Step 1b



#### Step 1c



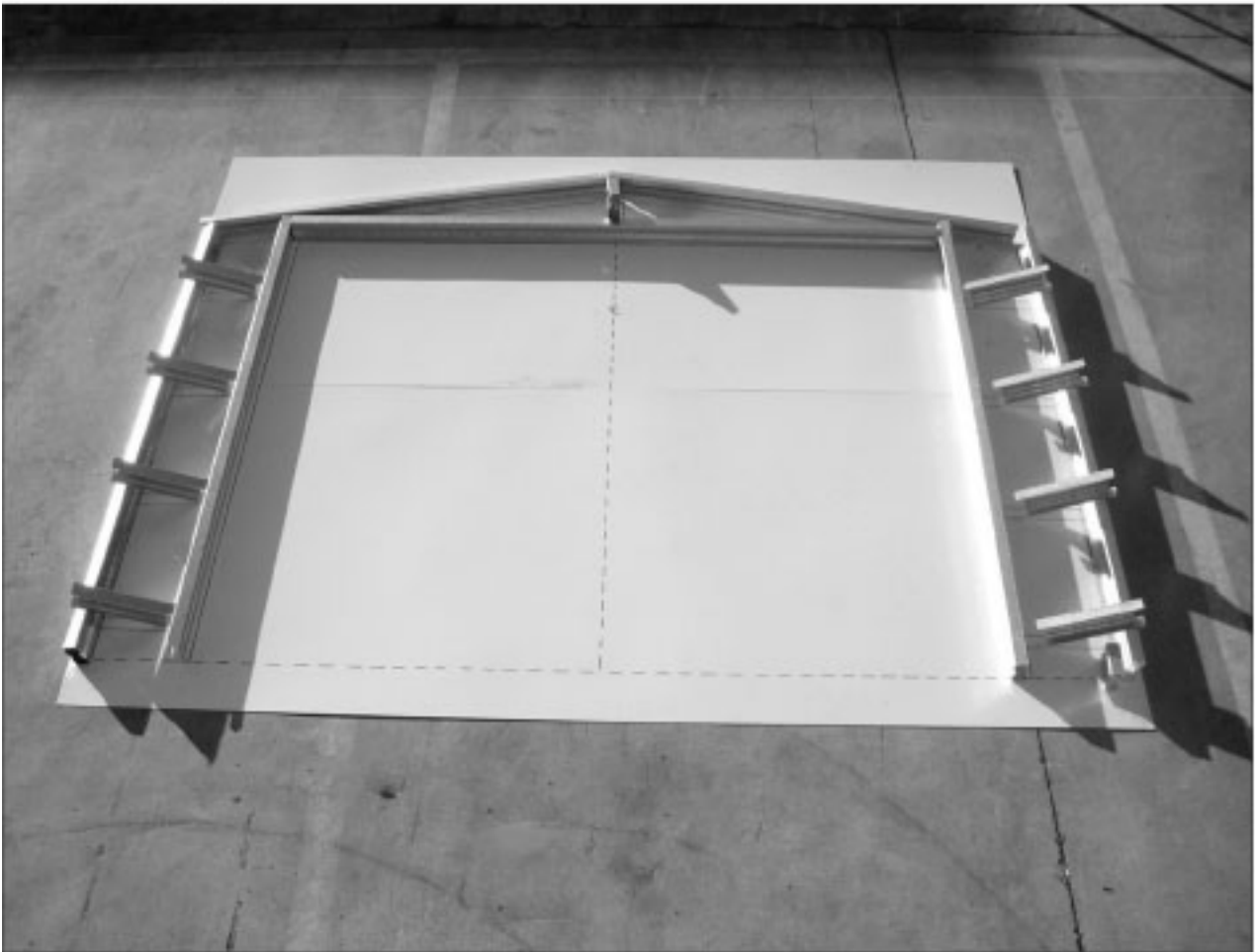


## HIGH FRONT FRAME ASSEMBLY SUPPORT PHOTOS

### STEP 2.

Understand where components are to be positioned.

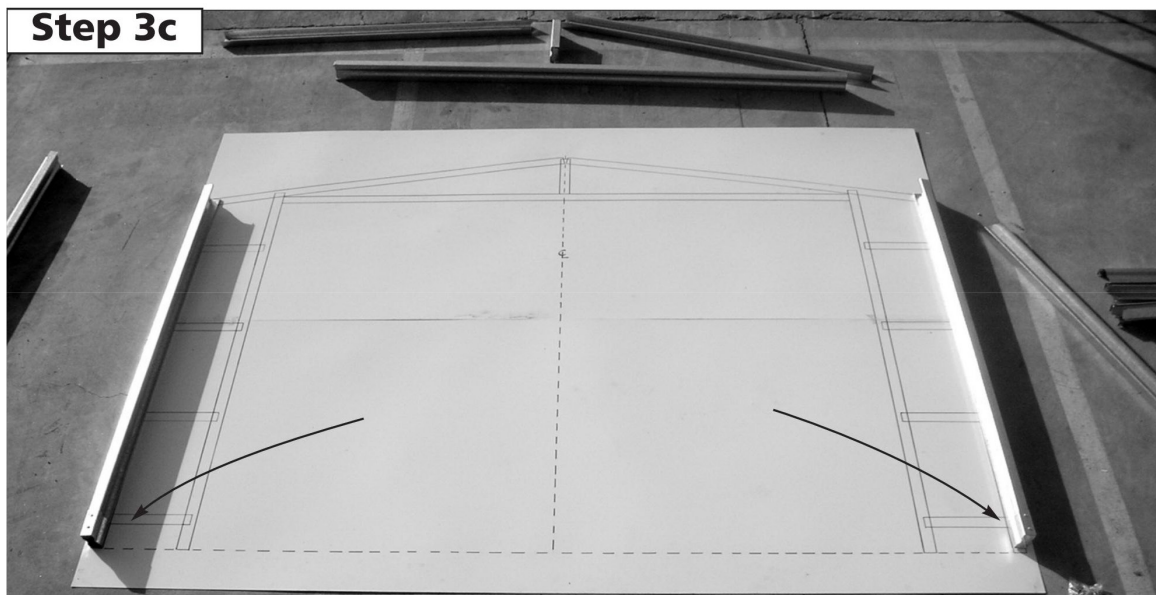
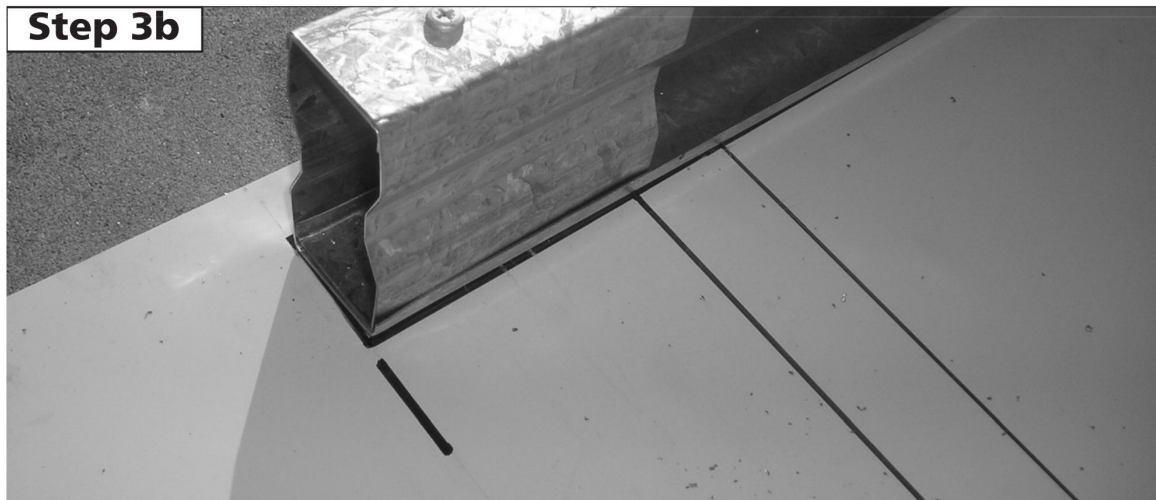
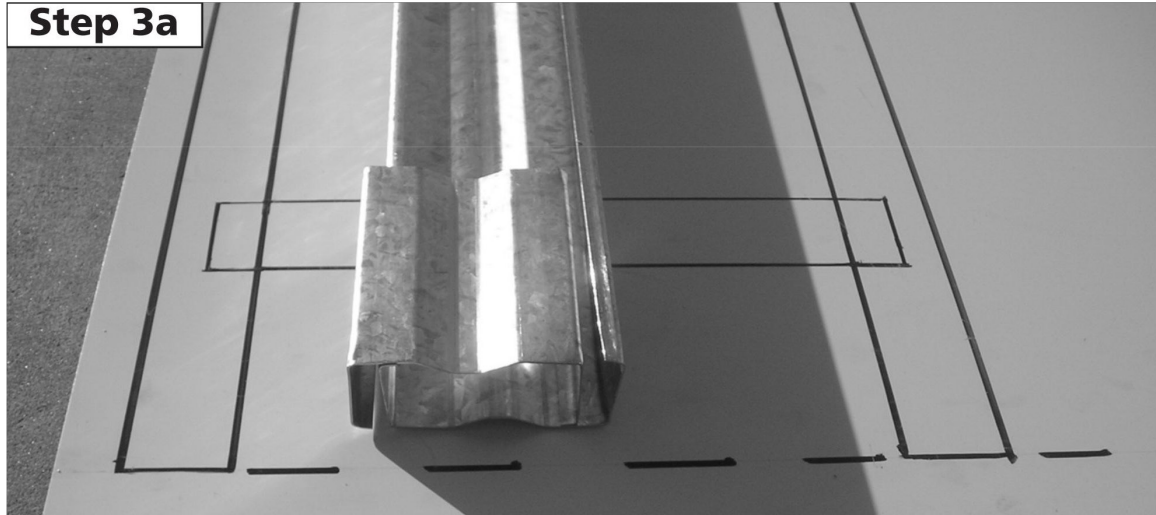
#### Step 2



## HIGH FRONT FRAME ASSEMBLY SUPPORT PHOTOS

### STEP 3.

Join C0100 to C2034



## HIGH FRONT FRAME ASSEMBLY SUPPORT PHOTOS

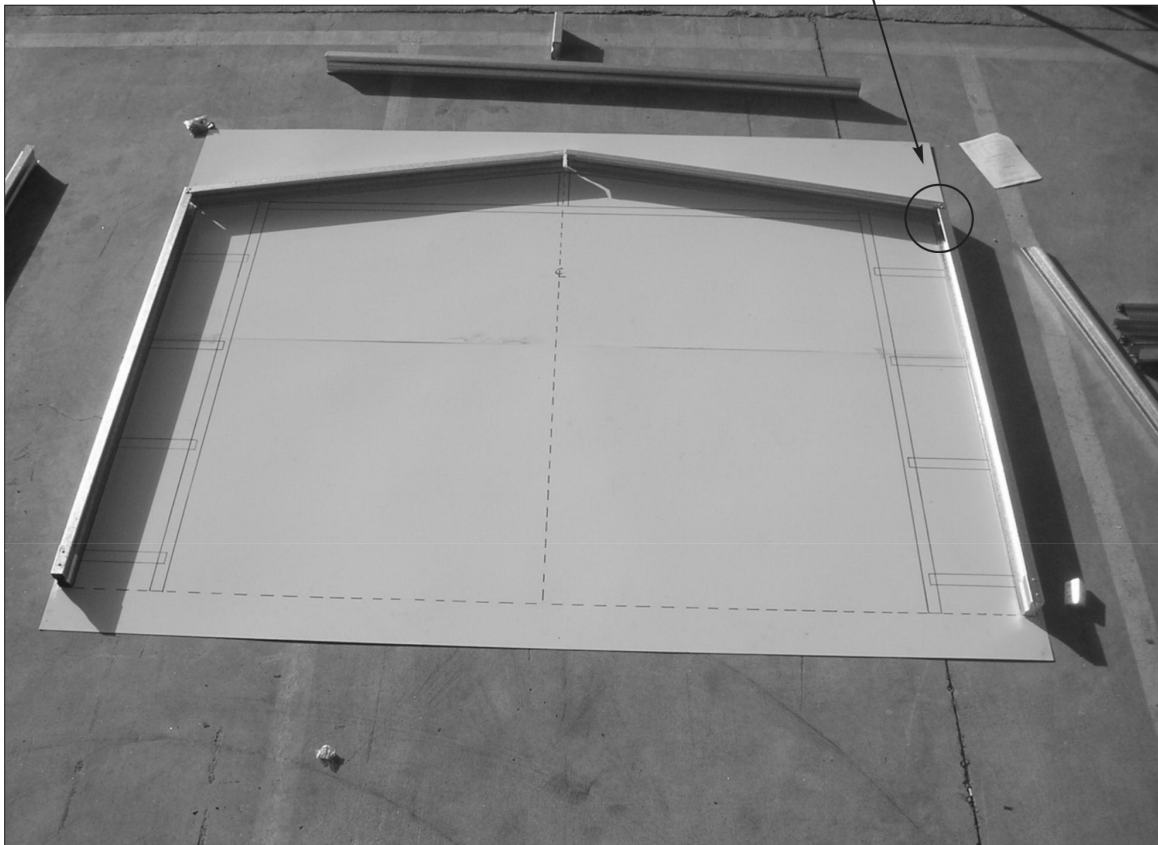
STEP 4.

Join C2034 to M1484

**Step 4a**



**Step 4b**





## HIGH FRONT FRAME ASSEMBLY SUPPORT PHOTOS

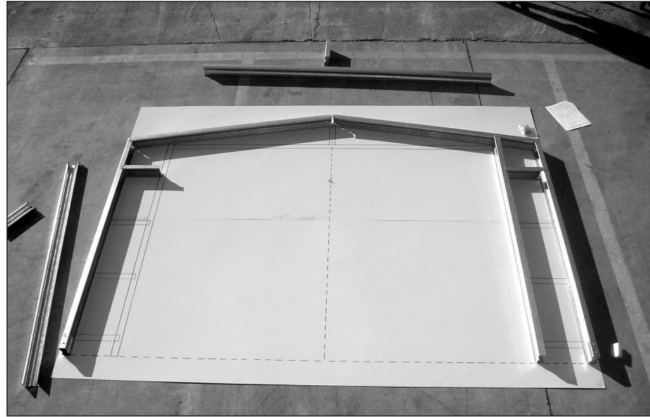
STEP 5.

Join K0285 to C2034 & N2070.

**Step 5a**



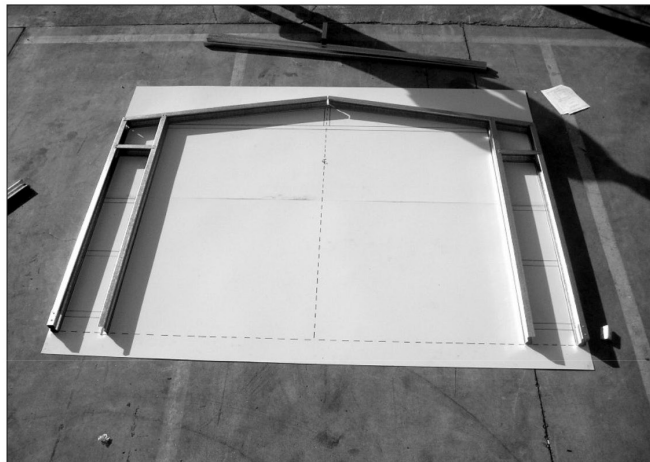
**Step 5b**



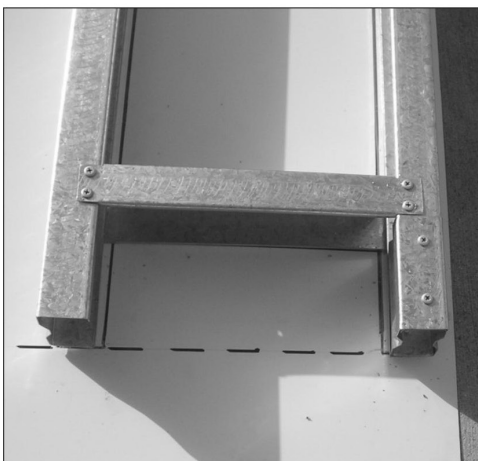
**Step 5c**



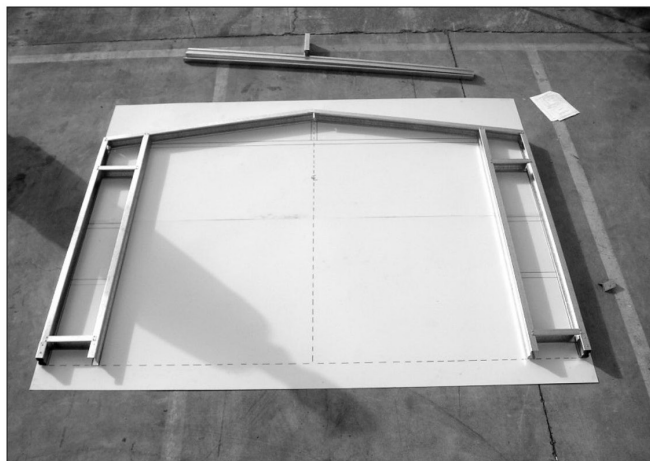
**Step 5d**



**Step 5e**



**Step 5f**

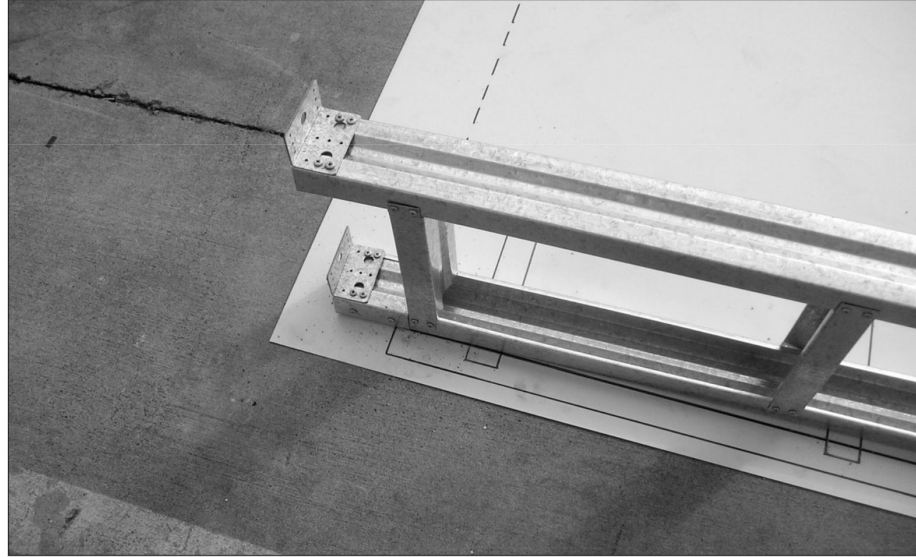


## HIGH FRONT FRAME ASSEMBLY SUPPORT PHOTOS

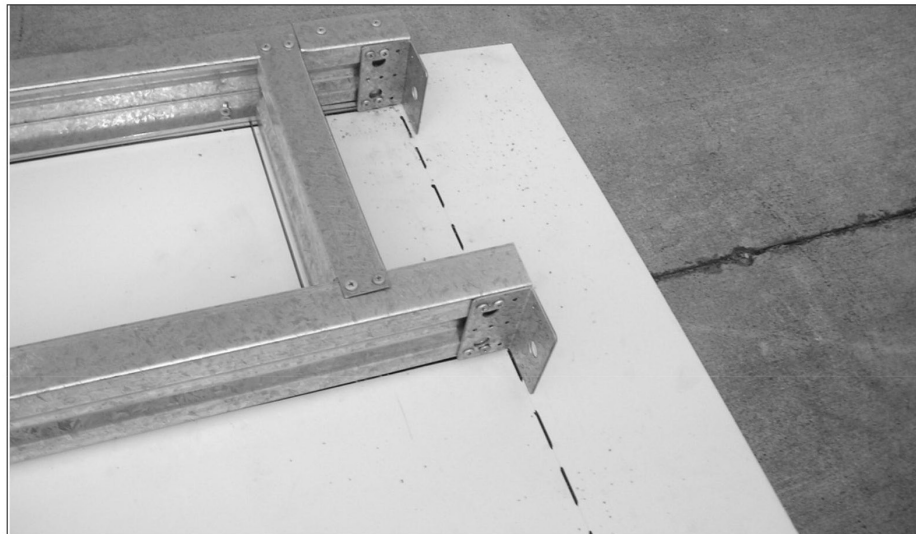
STEP 6.

Fit multipurpose brackets.

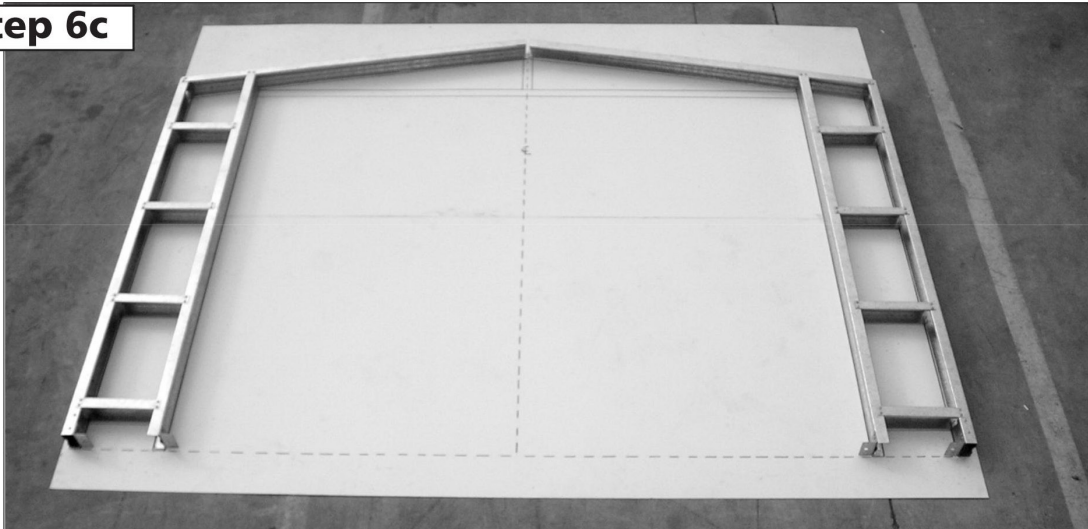
**Step 6a**



**Step 6b**



**Step 6c**



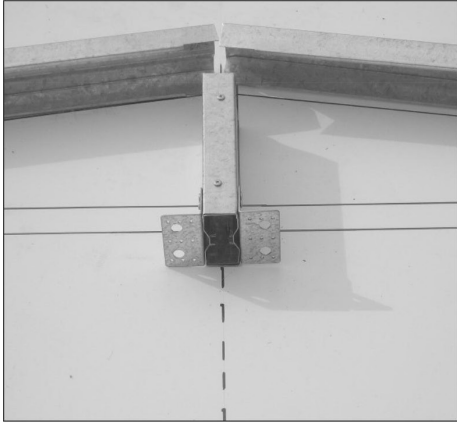


**HIGH FRONT FRAME ASSEMBLY SUPPORT PHOTOS**

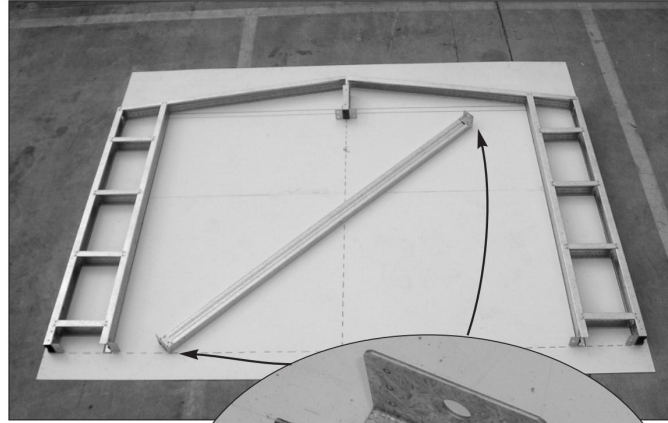
**STEP 7.**

Assemble the C0240 & C2300 sections.

**Step 7a**



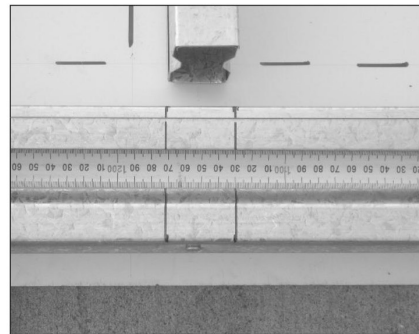
**Step 7b**



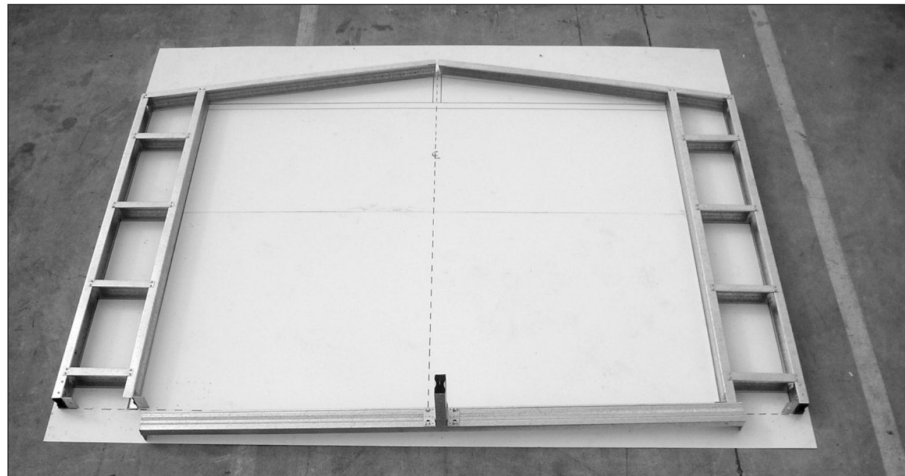
**Step 7c**



**Step 7d**



**Step 7e**



**HIGH FRONT FRAME ASSEMBLY SUPPORT PHOTOS**

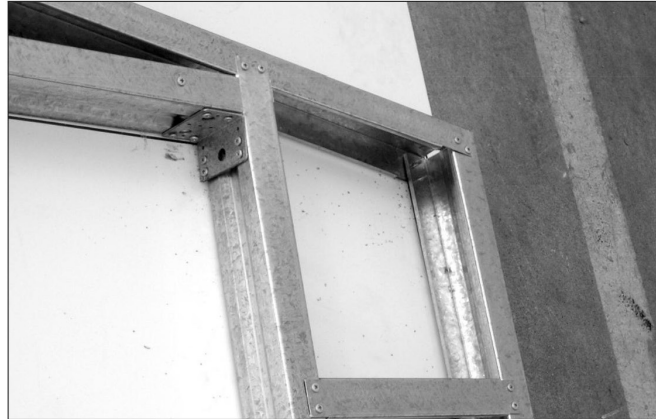
STEP 8.

Join all sections together.

**Step 8a**



**Step 8b**



**Step 8c**



**Step 8d**



**Step 8e**



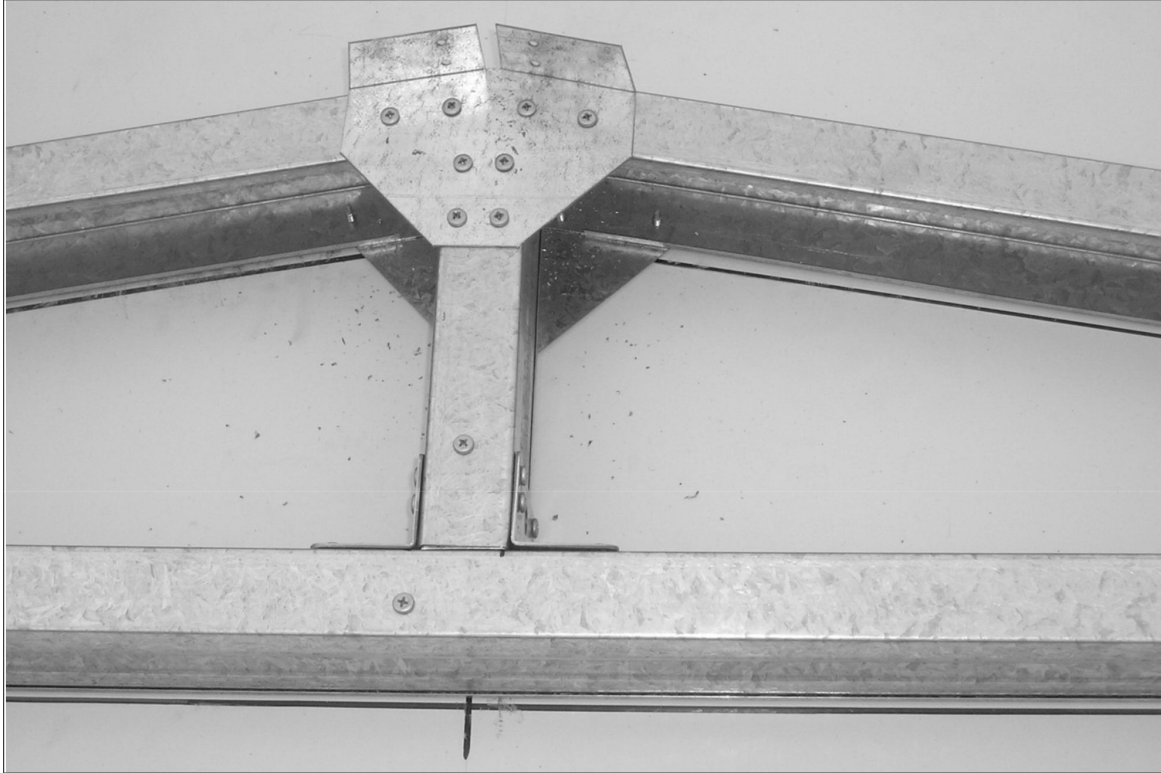


## HIGH FRONT FRAME ASSEMBLY SUPPORT PHOTOS

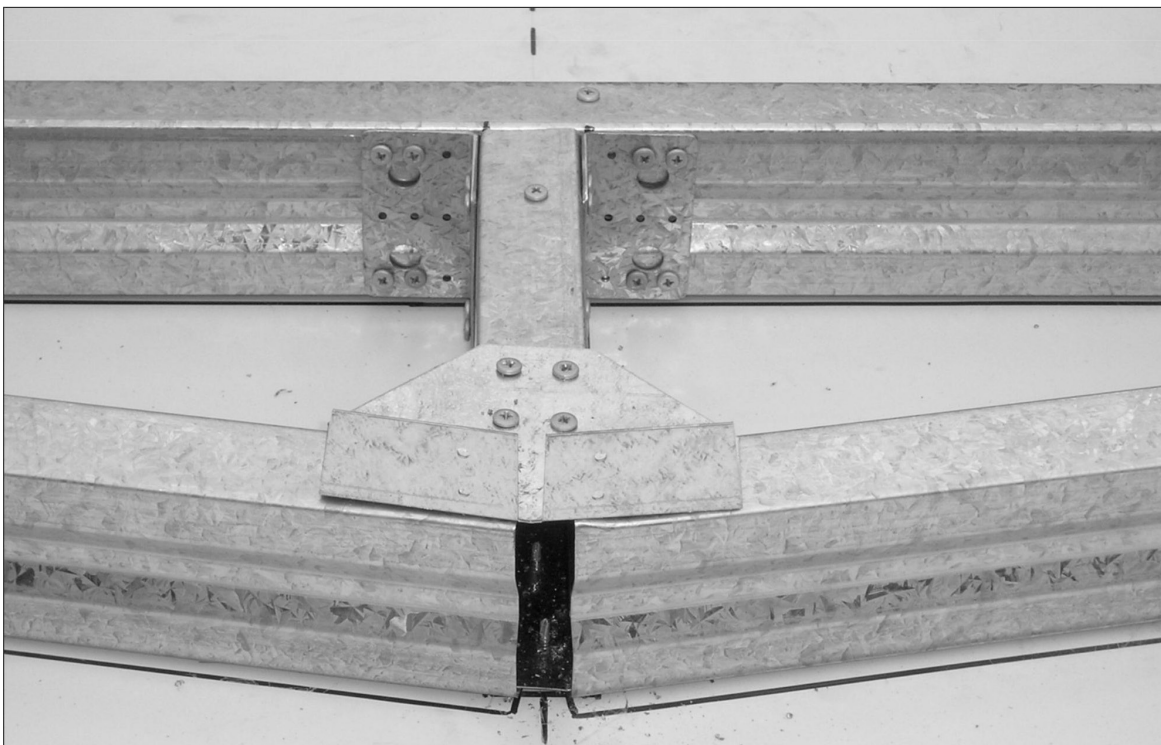
STEP 9.

Turn over frame and repeat steps 4 to 8.

### Step 9a



### Step 9b

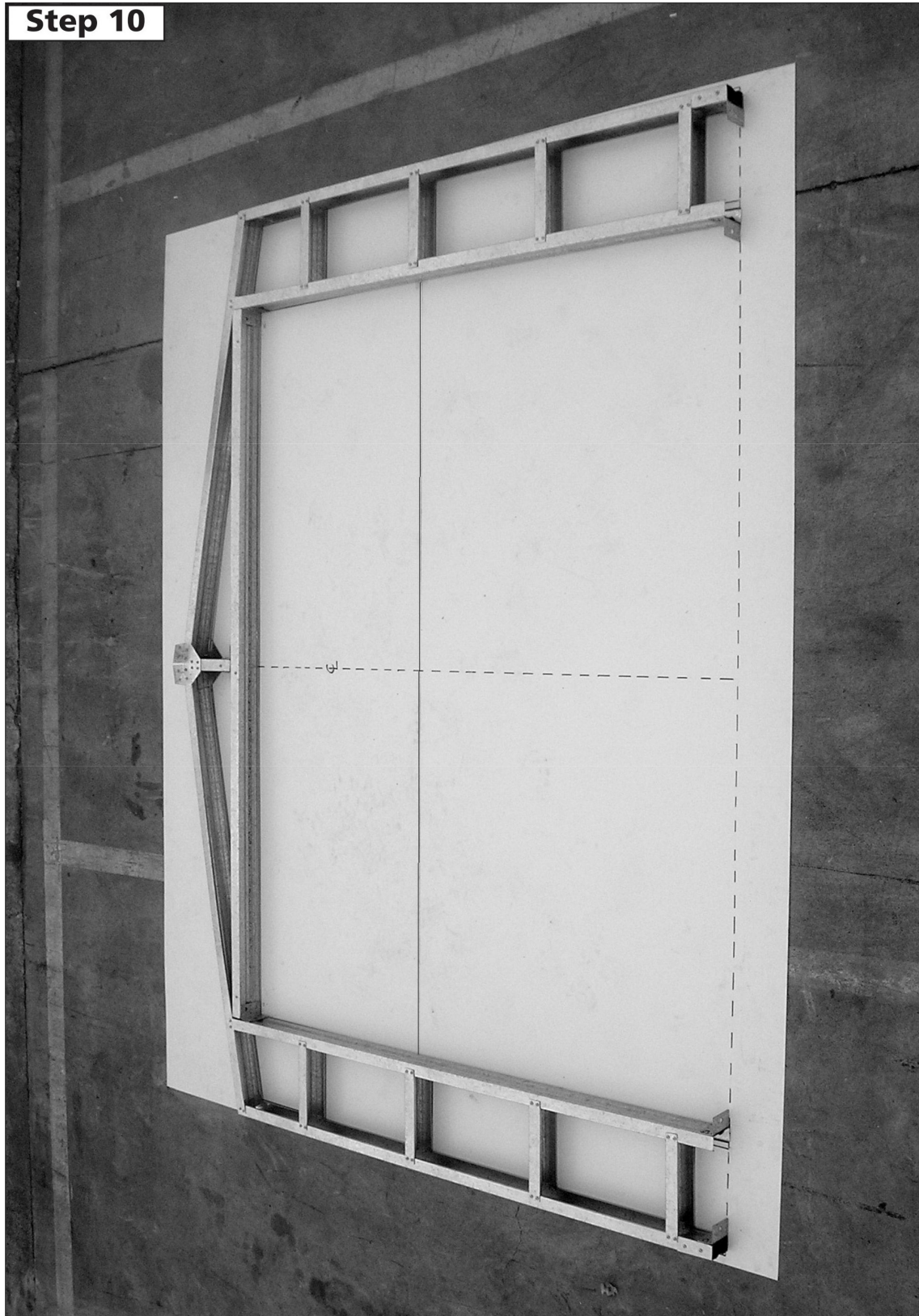




## HIGH FRONT FRAME ASSEMBLY SUPPORT PHOTOS

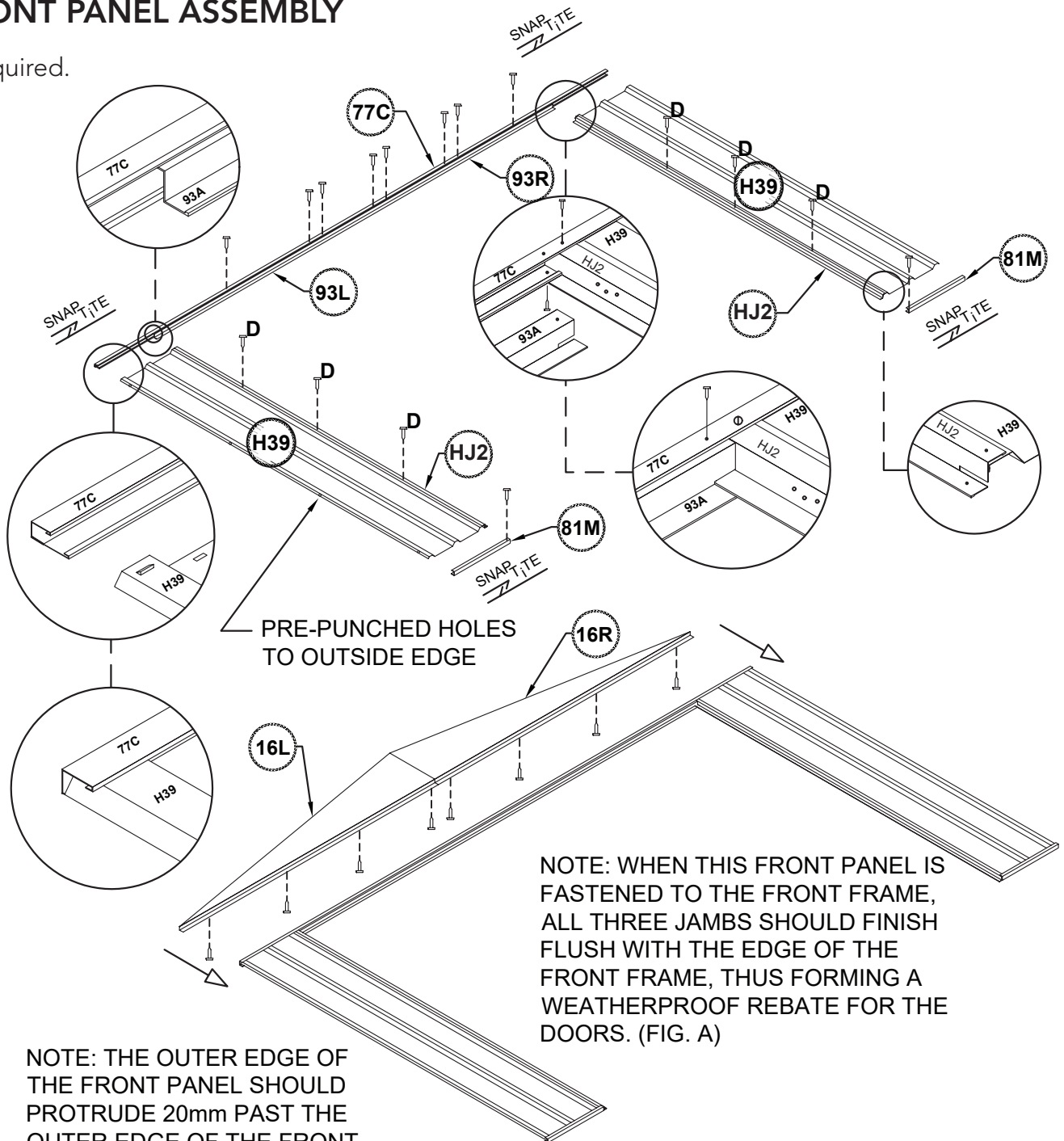
STEP 10.

Fully assembled front frame.



## FRONT PANEL ASSEMBLY

1 required.



PRE-PUNCHED HOLES  
TO OUTSIDE EDGE

NOTE: WHEN THIS FRONT PANEL IS FASTENED TO THE FRONT FRAME, ALL THREE JAMBS SHOULD FINISH FLUSH WITH THE EDGE OF THE FRONT FRAME, THUS FORMING A WEATHERPROOF REBATE FOR THE DOORS. (FIG. A)

NOTE: THE OUTER EDGE OF THE FRONT PANEL SHOULD PROTRUDE 20mm PAST THE OUTER EDGE OF THE FRONT FRAME FOR CORNER LAPPING OF SIDE WALL PANELS. (FIG. B)

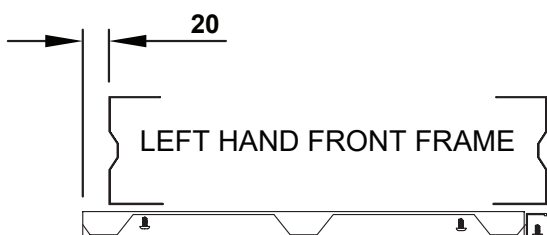


FIG. A FIG. A

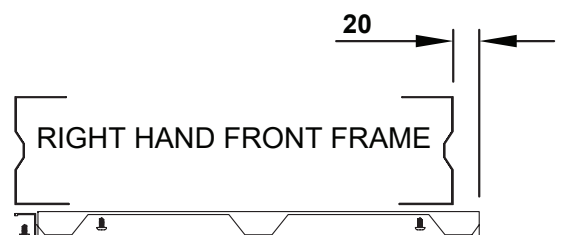
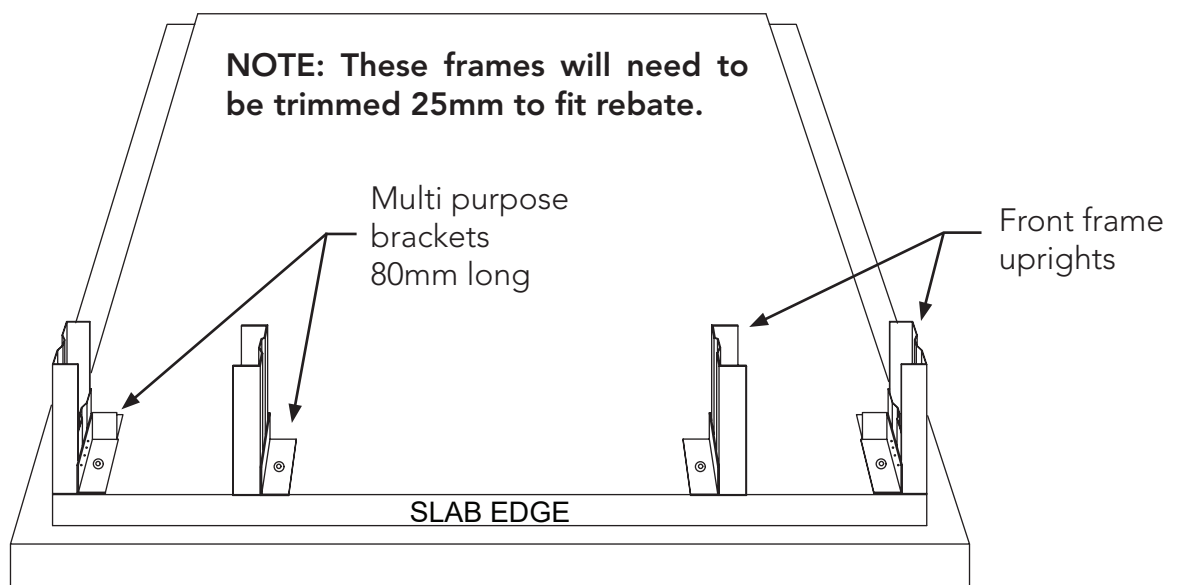
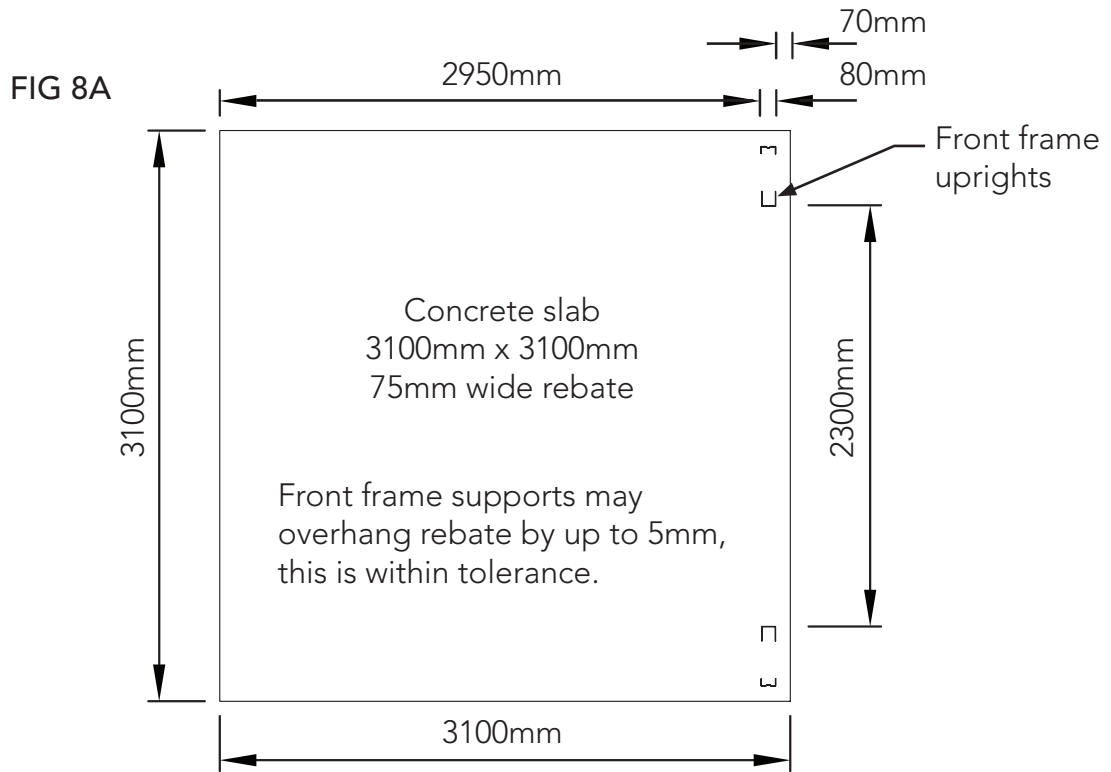


FIG. B

FIG. B

**HIGH FRONT FRAME DETAILS**

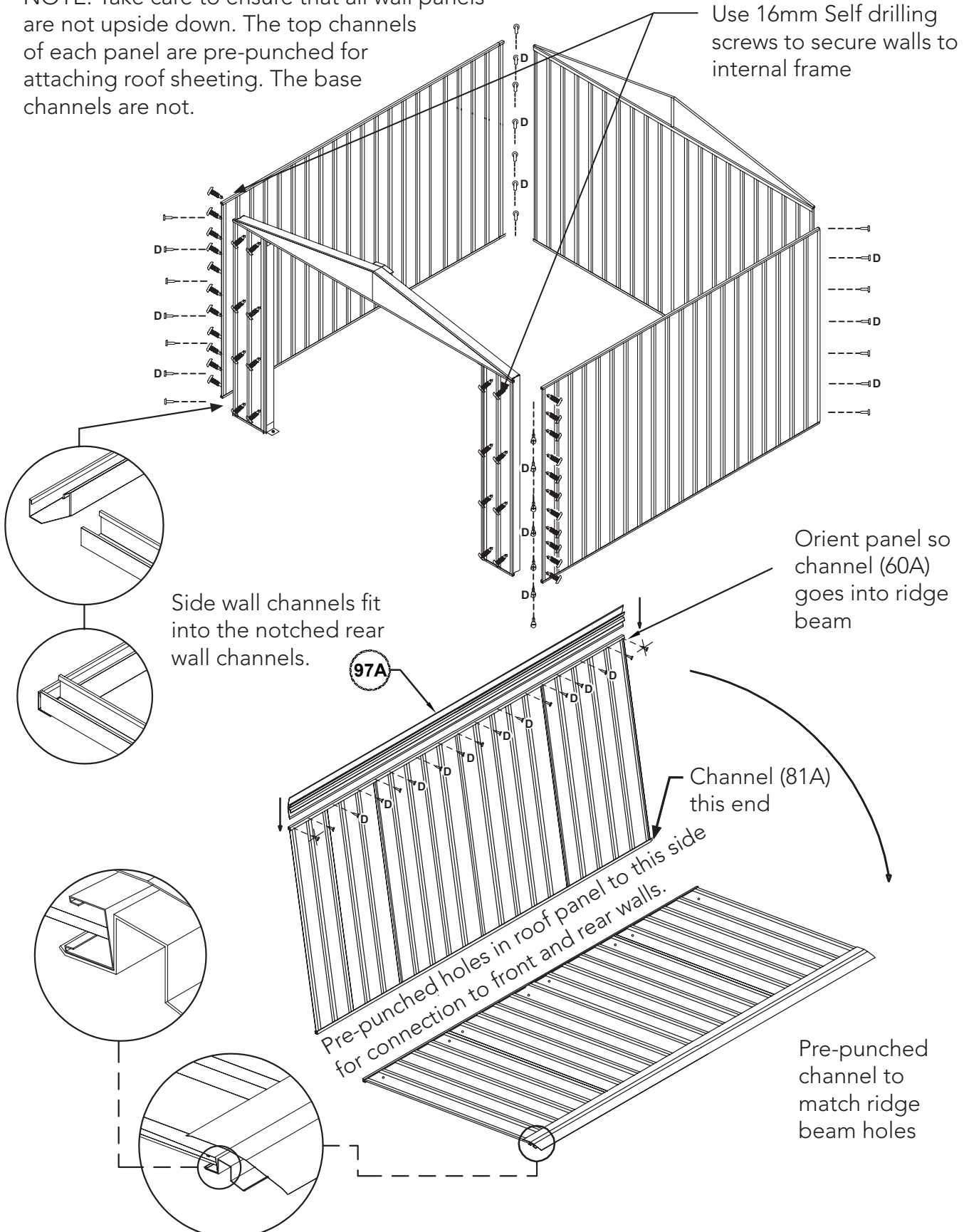
Recommended slab dimensions - 3100mm x 3100mm  
External wall dimensions - 3000mm x 3000mm  
Internal wall dimensions - 2960mm x 2960mm



- Secure multipurpose brackets to uprights using self drilling screws
- Move frames into position, mark and drill holes in slab using 10mm masonry drill bit
- Secure frames to slab with M10 dynabolts.

## PANEL CONSTRUCTION

NOTE: Take care to ensure that all wall panels are not upside down. The top channels of each panel are pre-punched for attaching roof sheeting. The base channels are not.

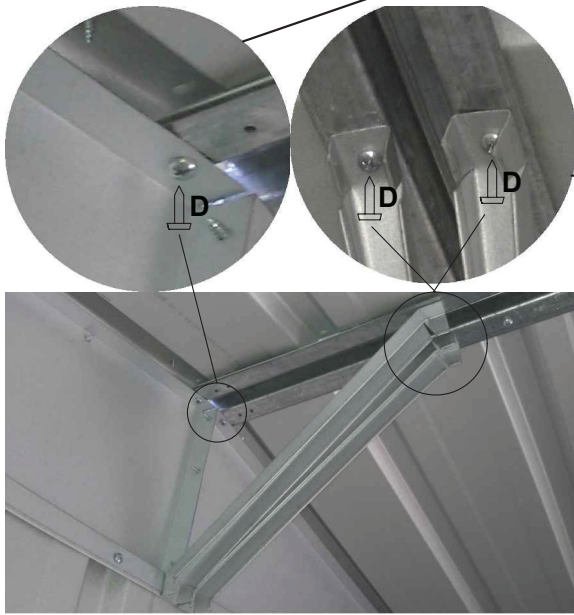




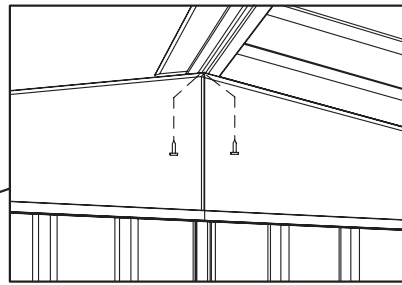
### ROOF CONSTRUCTION

#### STEP 1.

Slide the roof panels into position and secure with only one screw in each corner at this stage.



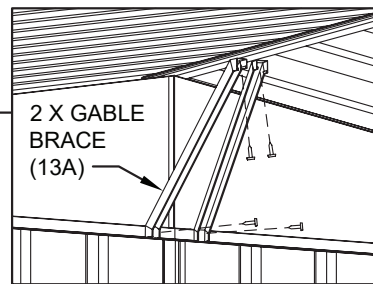
INSIDE VIEW



#### STEP 2.


Secure ridge beam to gable sections with two screws at either end.

INSIDE VIEW

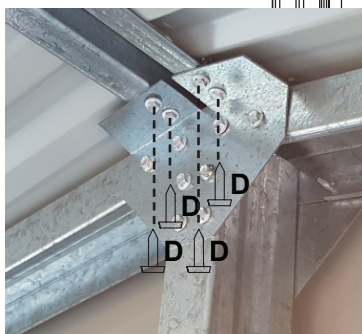
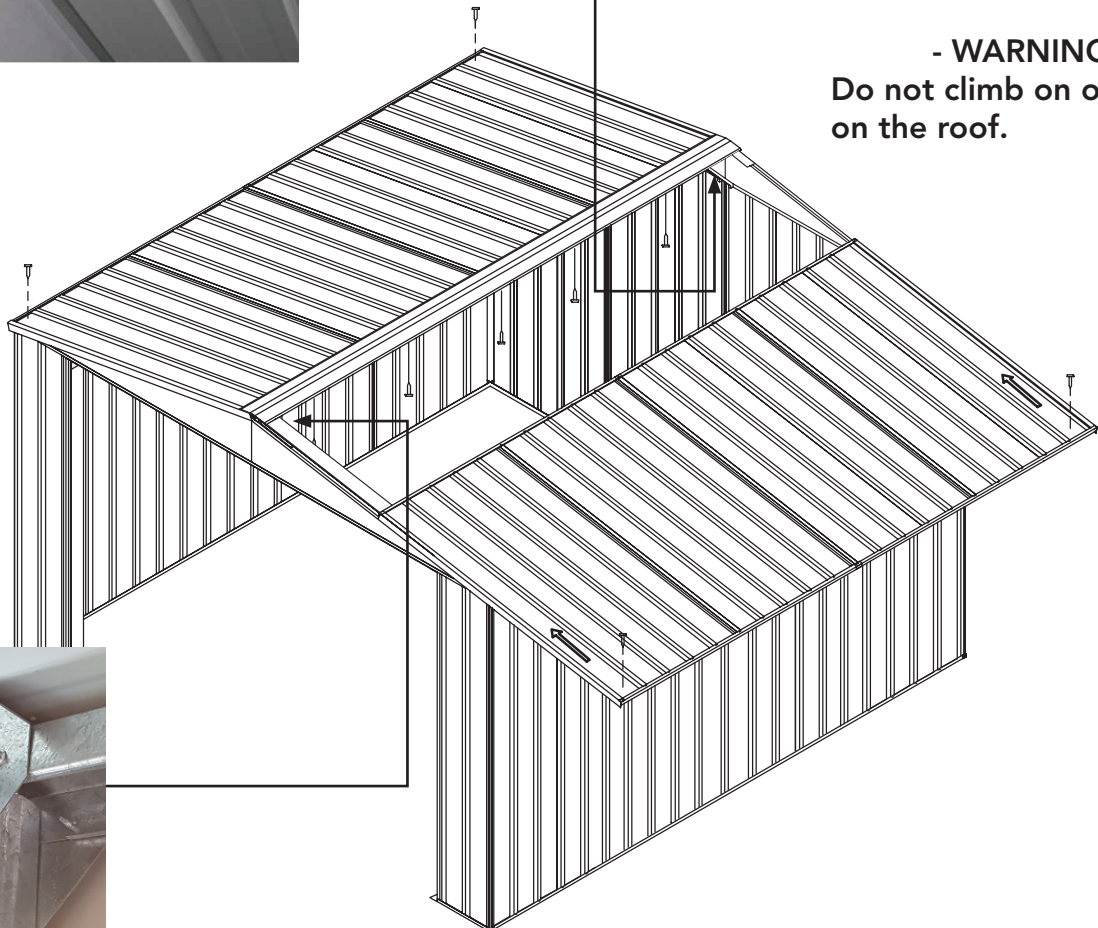


#### STEP 3.

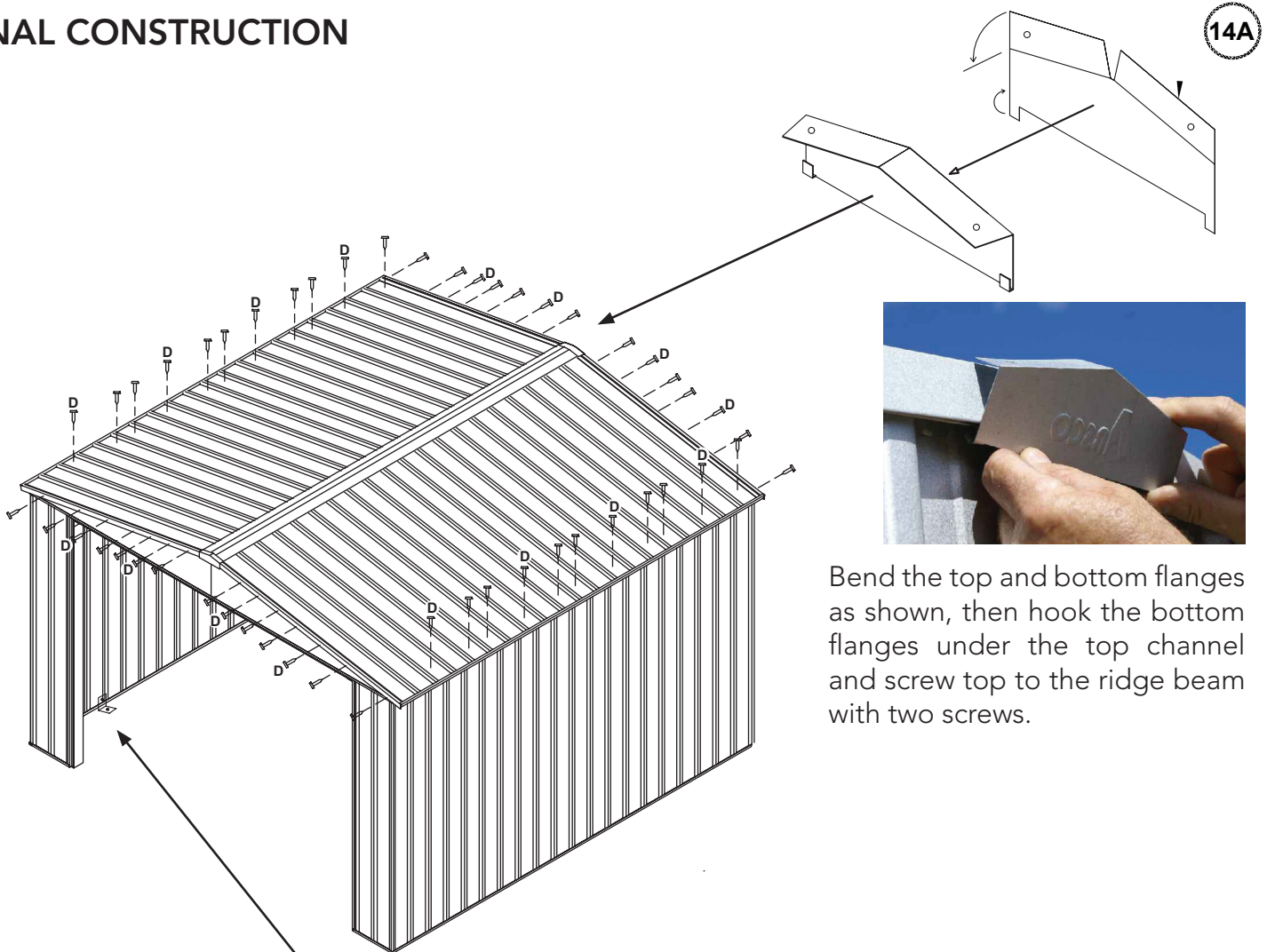
After the roof panels have been secured, fit two gable braces (13A) from the top wall channel to the underside of the ridge beam at 45 degrees as shown at the rear wall only.

NOTE: This symbol  denotes that holes to be pre-drilled with a 3mm drill bit before fastening.

**- WARNING -**  
**Do not climb on or walk on the roof.**

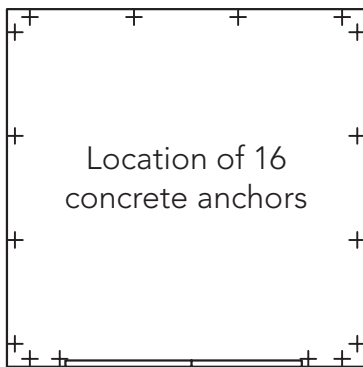


## FINAL CONSTRUCTION

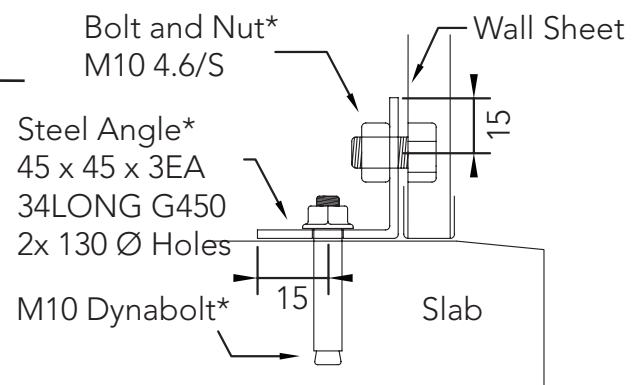


Bend the top and bottom flanges as shown, then hook the bottom flanges under the top channel and screw top to the ridge beam with two screws.

### ANCHORING OF SHED



Each anchor consists of one nut, bolt, M10 dynabolt and steel angle.  
Drill a 10mm hole into the wall sheet.  
Drill a 10mm hole into the concrete.



\* Denotes hot dip galvanised finish

## ROLLER SHUTTER ASSEMBLY SUPPORT PHOTOS



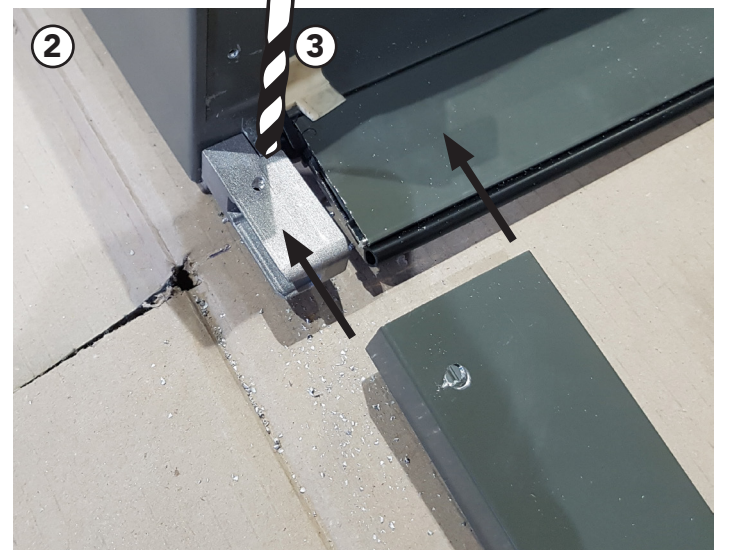
To begin remove the tape that is holding the back cover of the roller shutter unit.

1  
Take the two "end plate legs" and slide them onto the roller door unit as shown below. These will be used to fit the guides.

2  
Take the guides and slide them up over the edge of the roller shutter and end plate leg.

3  
Pre-drill with the 3mm drill bit through the guide and the end plate legs.  
Take a 45mm long Tek screw and fasten through both of these.

NOTE: Do not advance the screw all the way down yet because we will use this screw to fasten it to the inside frame of the shed.





## ROLLER SHUTTER ASSEMBLY SUPPORT PHOTOS



4  
Position the roller door inside the shed as shown. You will need to bring it through the opening at an angle to get it to fit. Lay on ground as shown if there is enough floorspace. Remove all protective films at this point.



5  
Stand the unit up and position the roller unit centred in the opening, you can check it is centred by looking at the guides. They should be running parallel to the front frame inset the same distance on both sides.



6  
Next drive the Tek screw that is already in the roller unit through the rest of the way into the front frame on both sides.

7  
Now the roller door is held in place slide the roller down and fasten at each cross member in the front frame. This will result in 4 screws per side. pre-drilling with a 3mm drill bit will make it easier to drive the 45mm tek screw into the front frame.





## ROLLER SHUTTER ASSEMBLY SUPPORT PHOTOS



With the roller shutter fully extended use three more tek screws and fasten inside the roller unit in the top corner at the middle and either side spaced equally.

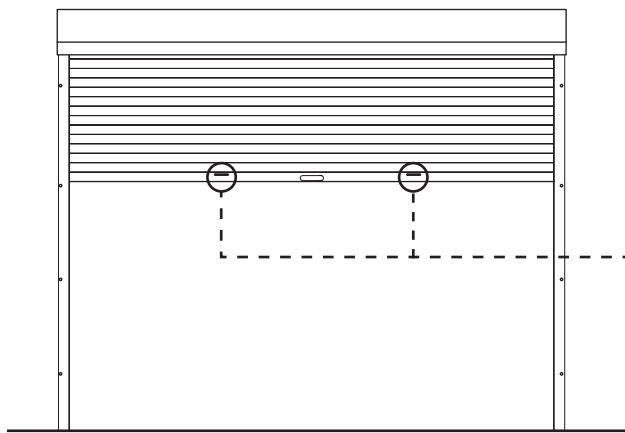
It is easier if you have an extension for your drill. With the shutter unrolled completely remove the protective polycell sheet from within the roller.



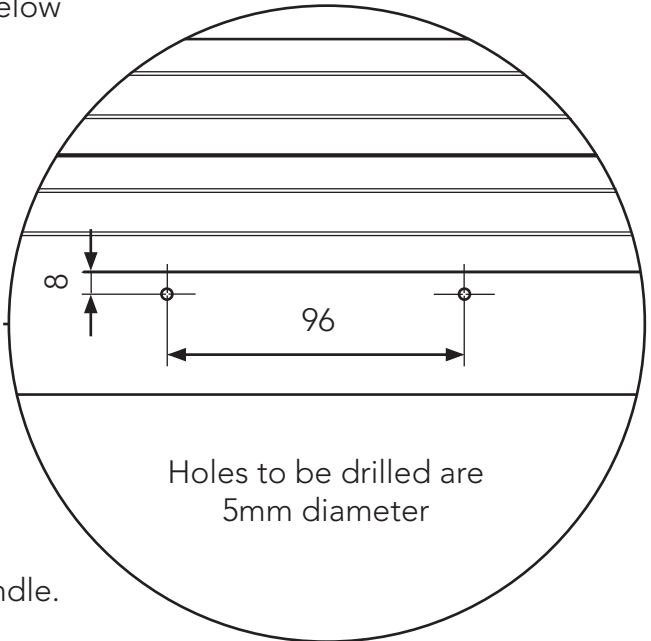
Take the sheet metal cover for the roller unit. Orient as shown, fasten with the supplied pop-rivets or use our most common self tapping screw to fasten.

## ROLLER SHUTTER FINAL ASSEMBLY

The handles can be mounted at any width along the locking bar.  
Critical dimensions for drilling a handle are shown below

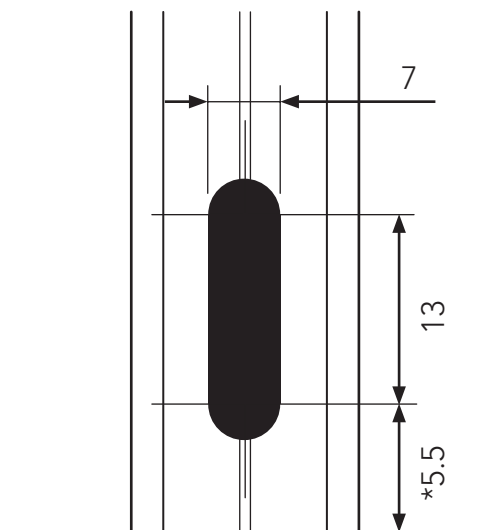


Internal view of roller shutter



Fasten with two M4x15mm button hd screws per handle.

The two guides require cutouts to accept the locking bars of the roller shutter. Critical dimensions of the cutout are shown below.

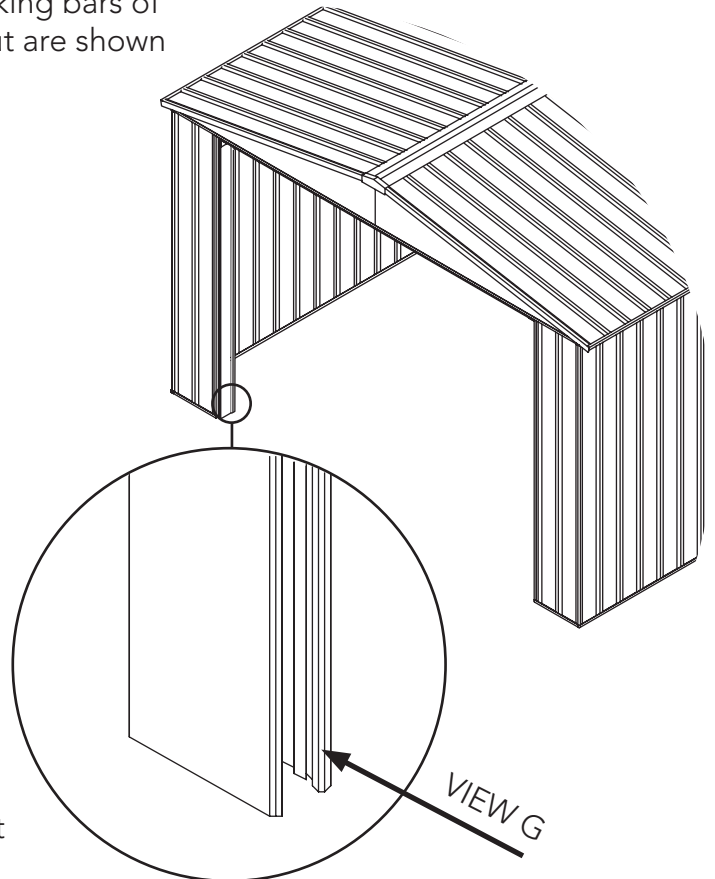


VIEW G

Looking inside the guide track

\*NOTE: If rubber is fitted to the bottom slat then make this dimension 11mm.

An uneven slab or misalignment of parts during construction may mean you have to alter these dimensions to suit.



Detail shown without framing or sheeting

## Absco Large Gable Roof Shed Notes

### General

- 1.G This instruction manual shall be read in conjunction with other consultants drawings, specifications and written instructions provided by Absco and/or their representatives.
- 2.G The drawings provided herein are for installation and structural engineering purposes only. If discrepancies are discovered within the documentation provided, these shall be brought to the attention of Absco and written approvals obtained prior to commencing the affected section of work.
- 3.G If in doubt ask.
- 4.G Until approvals from the local authorities are obtained, commencement of construction from these drawings shall not commence.
- 5.G Unless varied by the project specification, all materials and workmanship shall be undertaken in accordance with the relevant Australian standards and the by-laws and ordinances of the relevant building authorities.
- 6.G All dimensions indicated in these drawings shall be verified on site by the installation contractor. Scaling of drawings shall not be undertaken.
- 7.G Prior to commencing works on site, the contractor shall verify the position of all services in the area to ensure that the construction does not interfere with any of those services.
- 8.G During installation on site the shed structures shall be maintained in a stable condition with no part becoming overstressed or permanently deformed.
- 9.G In circumstances where the shed has been installed in a manner which is inconsistent with the installation manual, structural certification shall be void.
- 10.G The structural components detailed within this installation manual have been designed for the following loads in accordance with AS/NZS1170 based on a Class 10a, Type 2 structure:
- Roof Live Load: 0.25 kPa uniformly distributed or 1.1 kN concentrated as per AS/NZS1170.1

Wind Load: Classification N2, Non-Cyclonic to AS4055 where  $V_u = 40$  m/s,  $V_s = 26$  m/s

Windward wall  $C_{p,e} = 0.7$

Leeward Wall  $C_{p,e} = -0.3$  to  $-0.5$  as applicable based on shed geometry

Side Wall  $C_{p,e} = -0.2$  to  $-0.65$  as applicable based on shed geometry

Roof  $C_{p,e} = -0.3$  to  $-1.04$  depending on wind direction

## Absco Large Gable Roof Shed Notes

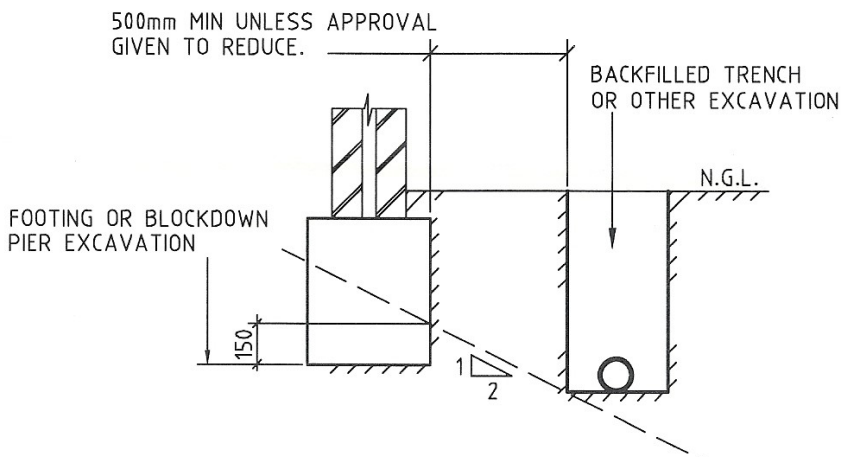
### Steelwork

- 1.S All structural steelwork shall have a corrosion protection system applied consistent with AS/NZS 2312-2002.
- 2.S All structural steelwork detailed within this installation manual shall be minimum Grade 550 for roll formed sections (including roof and wall sheeting and portal frame members) and Grade 250 for angle sections.
- 3.S All multi purpose and anchor brackets for connection onto the supporting reinforced concrete slab (includes 45x45x3EA x 34mm long and 47x47x1.9EA x 80 long) shall be minimum Grade 450.
- 4.S All portal frame knee and apex plates shall be minimum Grade 450
- 5.S All roof, and wall sheeting shall be minimum base metal thickness of 0.3mm
- 6.S All portal frame members shall be minimum base metal thickness of 0.75mm.
- 7.S All snaptite channels and jambs shall be minimum base metal thickness of 0.42mm
- 8.S All top hats shall be minimum base metal thickness of 1.0mm
- 9.S All portal frame knee and apex plates shall be minimum base metal thickness 1.0mm
- 10.S All screw fasteners shall be Phil Pan Head Zinc Plated #8 x 3/4" (STP0820)
- 11.S All bolt fasteners for anchoring shall be M10 minimum grade 4.6/S
- 12.S Installation of screw fasteners shall generally be undertaken in accordance with the relevant provisions of AS1562.

## Absco Large Gable Roof Shed Notes

### Supporting Slab and Foundations

- 1.F The supporting slab foundation for the garden shed shall be of a minimum size indicated on the installation manual. The top surface of the formed slab shall be level and free of any irregularities which would inhibit the installation of the shed.
- 2.F The structural engineering design for the supporting slab foundation shall be undertaken by a suitably qualified structural engineer. The design shall consider all relevant provisions of AS3600 and AS2870.
- 3.F Between adjacent footings or excavations, the contractor installing the slab foundation shall not exceed a rise of 1 in a run of 2 in line of slope.
- 4.F Unless approved in writing by the slab foundation engineer, the limits of excavations near existing footings shall be in accordance with that indicated below.



The contractor shall undertake investigatory localised excavations near existing footings to ascertain their depth prior to excavating adjacent to them. It is noted that excavating to a depth below that indicated above shall not be undertaken without the written approval from the engineer.

## Absco Sheds Storage Guidelines

- Absco Sheds are designed to be weatherproof for normal weather conditions. In the event of extreme weather conditions such as heavy rain, combined with high wind gusts, the ridge capping, sheeting joints, screw fixings etc., may exhibit minor deformations which may allow some water entry. These areas should be checked regularly to ensure that maximum strength and protection is maintained.
- Other weather conditions such as extreme heat and extreme cold, moist or dry air can influence the effects of concrete floor moisture and/or condensation on the underside of the roof sheets.
- Absco Sheds and storage units are primarily used for storage of garden equipment such as lawnmowers, wheelbarrows, garden tools etc. Storage items that might be adversely affected by any of the above conditions may require additional protection such as being sealed or covered by plastic sheets and/or stacked above the concrete floor on timber slats.
- Waterproof sealants may be used to offer further protection where required around joins and screw fixings, as can rubber door seals and other products which are available from most hardware outlets.
- Placement of waterproof sealants (silicone) between the base of the shed and concrete slab is not recommended, as this process can have a reverse effect, preventing excess water from escaping, resulting with water accumulating and being trapped inside the shed.
- Absco accepts no responsibility for water entry, floor moisture, condensation or the condition of the Contents inside your Absco steel building arising from any of the pre-mentioned weather conditions.



# Lifetime Warranty Statement



This warranty against defects is given by:

Absco Industries (ABN: 77 869 708 678)  
Address: PO Box 119 Acacia Ridge QLD 4110  
Ph: 1800 029 701  
Fax: 07 3344 1191  
Email: admin@absco.com.au

Date of issue: 19 December 2018

## Details of Manufacturer's Warranty

This product comes with a Lifetime structural warranty from the date of purchase. This warranty also applies where there are missing or damaged parts identified in the parts list referred to in the instruction kit within the product packaging.

Please ensure that you keep this warranty form in a safe place along with your proof of purchase. You can register your warranty online <http://absco sheds.com.au/warranty-details/> or complete the form on the back of this document and mail it back to Absco, along with a copy of your proof of purchase.

The benefits of this warranty are in addition to your rights under the Australian Consumer Law (ACL) and in particular, the guarantees implied under the ACL and any other rights and remedies of the consumer under a similar law in relation to the goods and services to which this warranty relates.

## Process of claiming warranty:

To make a claim under the warranty within the warranty period, you will need to contact the manufacturer directly by phone or email:

Contact Number: 1800 029 701  
Contact Email: admin@absco.com.au

You will be required to produce proof of purchase (this is at discretion of the manufacturer) at the time of the claim.

The manufacturer bears the cost of replacing the products or spare parts or repairing the products and reasonable direct expenses of claiming under this warranty:

Where parts are replaced, the manufacturer will bear the cost of sending the spare part and will endeavour to deliver it to the customer's nearest reseller within 20 working days for the customer to pick up. At such time the customer may be required to return the alleged faulty parts.

Where assessment is required in case of replacing or repairing the product, the manufacturer will appoint an assessor within 10 working days to identify the alleged defect. The manufacturer will bear the repair costs by appointing a local tradesman. The manufacturer may choose to replace the product if the repair or the cost of repair is not feasible. The replacement product will be available for collection from the nearest reseller within 20 working days. The customer will bear the cost of assembly for the replacement product.

**IMPORTANT**

**1. Manufacturer's Disclosure**

This warranty against defects shall not apply in the following situations:

- A) Where the product is not assembled in accordance with the instructions provided in the product kit;
- B) Where the product is used to store corrosive materials such as fertilizer, chlorine etc;
- C) The warranty does NOT cover damage caused by storms, wind, rain, snow or poor foundations;
- D) This warranty does not apply to surface deterioration of panels caused by 'Swarf' (Tiny particles of steel debris left from cutting, grinding or drilling operations) that has not been removed after building construction.

**2. Notes**

This product is weatherproof to a certain level; however driving windy rain may cause the product to leak. Condensation may also occur in some weather conditions such as extreme heat or cold. The product should only be used for storing items such as gardening equipment and should not be used for articles that may be prone to damage if they come into contact with moisture.

**3. Major Defects**

If the manufacturer is satisfied that the defect is a major defect, the purchase price may be refunded in lieu of providing a replacement product or repairing the product.

This warranty is provided in addition to other rights and remedies you have under law: Our goods come with guarantees which cannot be excluded under the Australian Consumer Law. You are entitled to replacement or refund for a major failure and to compensation for other reasonably foreseeable loss or damage. You are also entitled to have the goods repaired or replaced if the goods fail to be of acceptable quality and the failure does not amount to a major failure.

**If you do not wish to register your warranty online, complete the below form and email, fax or post this form back to Absco, along with a copy of your proof of purchase.**

**NAME:** \_\_\_\_\_

**STREET ADDRESS:** \_\_\_\_\_

**POSTAL / ZIP CODE:** \_\_\_\_\_

**STATE / CITY / PROVINCE / REGION:** \_\_\_\_\_

**COUNTRY:** \_\_\_\_\_

**SHED TYPE/CODE:** \_\_\_\_\_

**ORDER NO:** \_\_\_\_\_

**DATE OF PURCHASE:** \_\_\_\_\_

**EMAIL ADDRESS:** \_\_\_\_\_

**DATE REGISTERED:** \_\_\_\_\_

