



**ABSCO  
SHEDS**

So Tough. Too Easy.

# ABSCO BIKE SHED MODEL: 230813BK

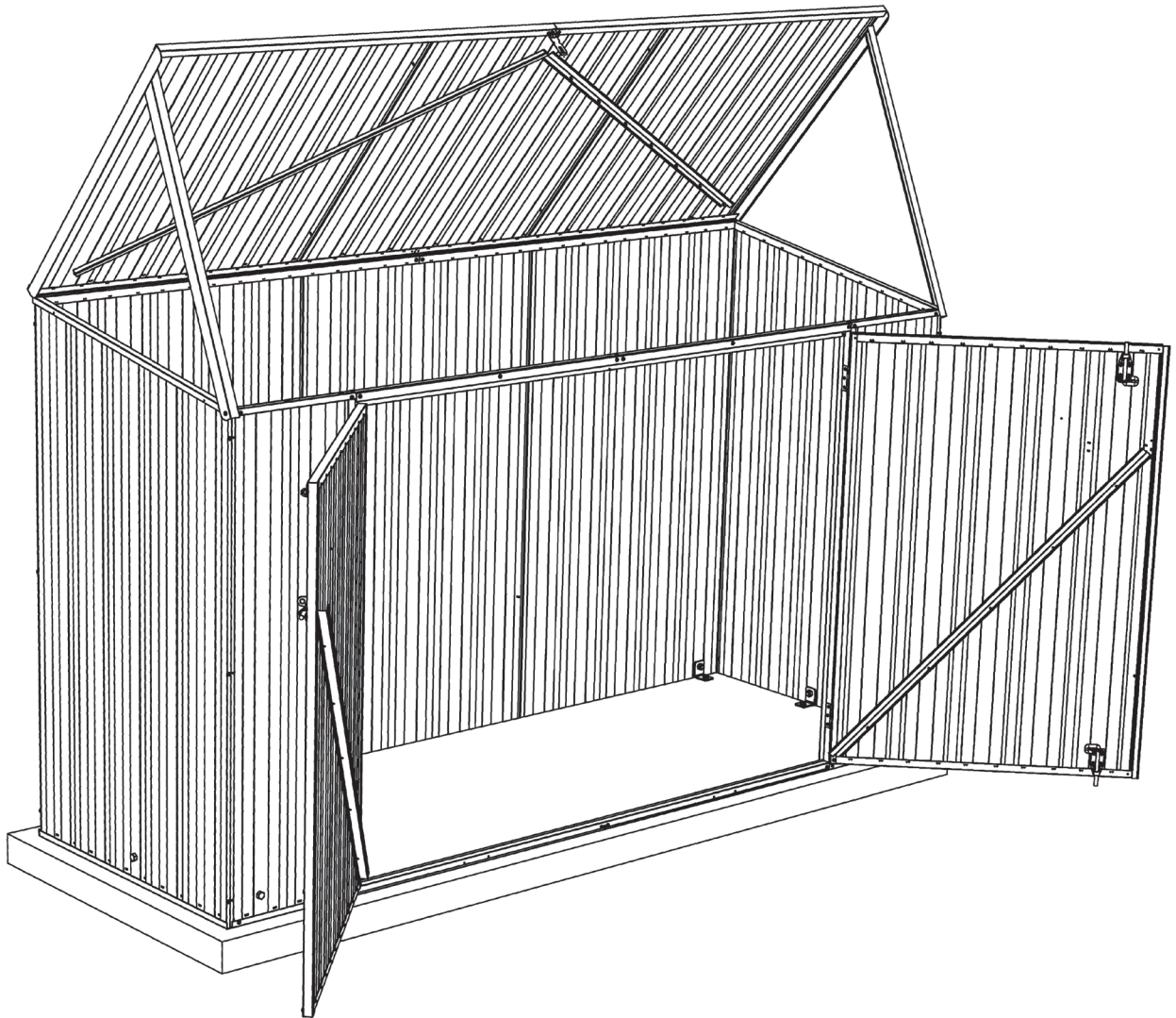
2.26mW x 0.78mD x 1.20mH, 1.31mH



AU: 1800 029 701  
NZ: 0800 466 444



admin@absco.com.au  
www.abscosheds.com.au



**DOWNLOAD  
OUR APP FOR  
ASSEMBLY  
VIDEOS**



## PLEASE LEAVE A REVIEW


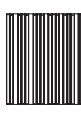

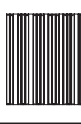

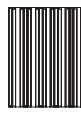

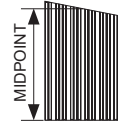

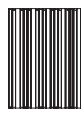
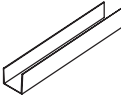
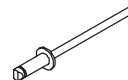
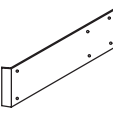
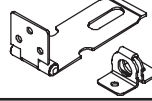
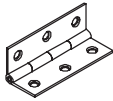


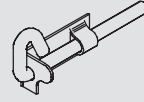

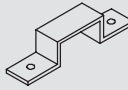

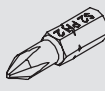
Tell us about your experience!  
Visit [www.abscosheds.com.au/review](http://www.abscosheds.com.au/review)



## COMPONENT PACKING LIST

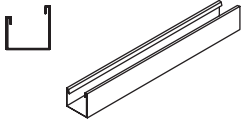
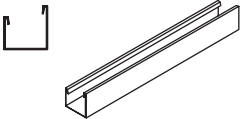
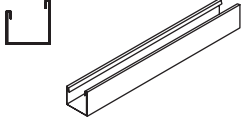
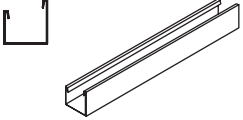
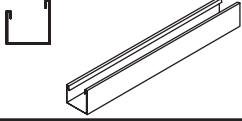
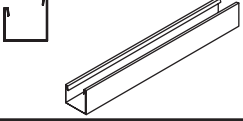
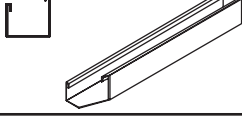
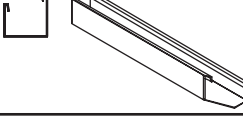
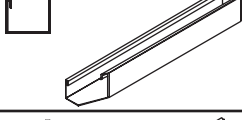
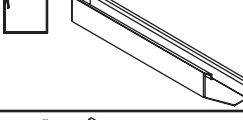
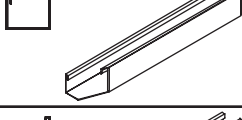
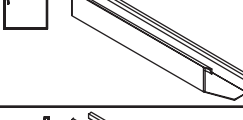
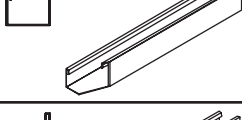
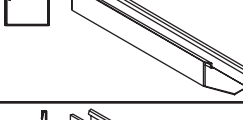
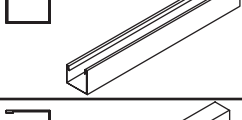
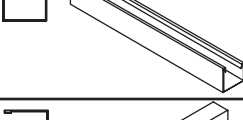
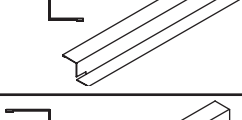
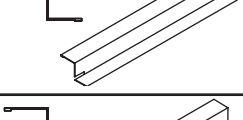
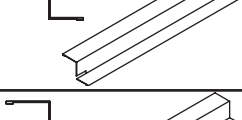
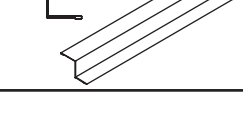
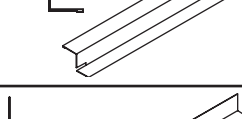
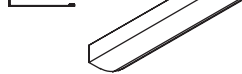
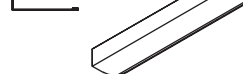
Check off all components.

Nominal sheet widths are shown.  
+/- 2 mm is within tolerance.

QTY	DESCRIPTION	PART #	CHK	QTY	DESCRIPTION	PART #	CHK
1	 STEEL SHEET 1310 x 773 mm	43N		1	 STEEL SHEET 1130 x 773 mm	DOOR H	
2	 STEEL SHEET 1310 x 773 mm	43O		1	 STEEL SHEET 1130 x 773 mm	DOOR I	
2	 STEEL SHEET 1180 x 329 mm	39D		1	 STEEL SHEET 805 x 773 mm	43M	
1	 STEEL SHEET 1245 mm TO MIDPOINT x 773 mm	X3L		1	 STEEL SHEET 1245 mm TO MIDPOINT x 773 mm	X3R	
1	 STEEL SHEET 805 x 773 mm	43I		1	 STEEL SHEET 805 x 773 mm	43P	
<b>FITTINGS PACK</b>							
QTY	DESCRIPTION	PART #	CHK	QTY	DESCRIPTION	PART #	CHK
6	 CHANNEL JOINER	<b>CSJ</b>		1	 SBS43E POP RIVET x 50	<b>PACK 12</b>	
2	 DOOR PLATE	<b>12A</b>		1	 LATCH & STAPLE	<b>FAST 052</b>	
7	 64 mm BUTT HINGE 6 HOLE	<b>FAST 012A</b>					
1	DOUBLE DOOR FITTINGS PACK	<b>PSTK DBL</b>		1	 SELF TAPPING SCREW 8G PACK QTY 220	<b>FAST 001</b>	
1	 3 mm DRILL BIT	<b>DRILL</b>		3	 PADBOLT	<b>FAST 006</b>	
8	 3/16" ROUND HD BOLTS	<b>FAST 002</b>		2	 PADBOLT HASP	<b>FAST 007</b>	
8	 3/16" NYLOCK NUTS	<b>FAST 003</b>		1	 PHILLIPS HD DRIVER BIT	<b>FAST 038</b>	

## COMPONENT PACKING LIST

Check off all components.

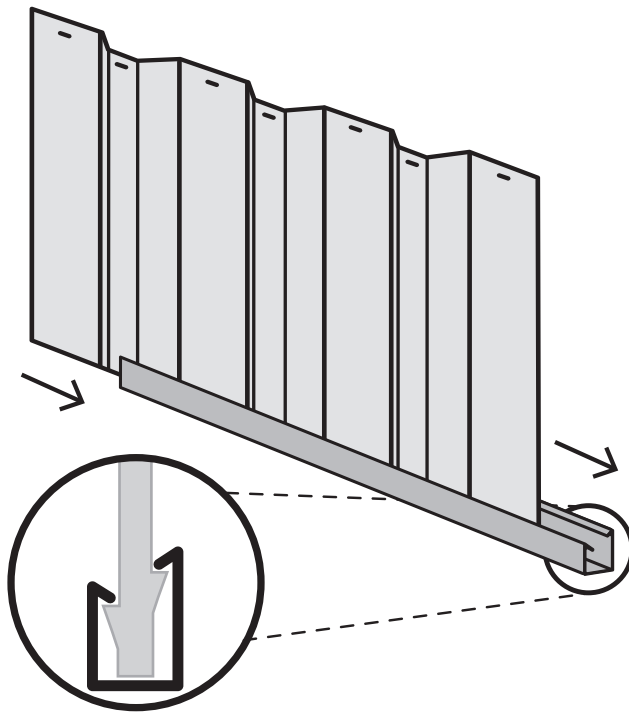
QTY	DESCRIPTION	PART #	CHK	QTY	DESCRIPTION	PART #	CHK
4	 CHANNEL 773 mm	58C		1	 CHANNEL 1568 mm	79A	
2	 CHANNEL 773 mm	81J		2	 CHANNEL 1130 mm	58U	
2	 CHANNEL 786 mm	61B		1	 CHANNEL 1130 mm	58X	
1	 CHANNEL 1126 mm SPLICED	81DL		1	 CHANNEL 1126 mm SPLICED	81DR	
1	 CHANNEL 1126 mm SPLICED	54PL		1	 CHANNEL 1126 mm SPLICED	54PR	
2	 CHANNEL 1114 mm SPLICED	54RL		2	 CHANNEL 1114 mm SPLICED	54RR	
1	 CHANNEL 1129 mm SPLICED	54SL		1	 CHANNEL 1129 mm SPLICED	54SR	
1	 CHANNEL 1129 mm SPLICED	54TL		1	 CHANNEL 1129 mm SPLICED	54TR	
2	 JAMB 1180 mm	89R		1	 JAMB 1130 mm	89T	
1	 JAMB 1568 mm	90A		2	 JAMB 1120 mm	91A	
2	 JAMB 1235 mm	91G					
2	 LIP 780 mm	88M		2	 LIP 805 mm	88N	

## SNAPTITE ASSEMBLY GUIDE

The Snaptite Assembly System locks end channels to all roof and wall sheets without the need for tools and fasteners.

To assemble each panel, the perimeter channels are secured to the top and bottom of each panel. Gently tap the channel over the SNAPTITE lugs on the sheet, working along the sheet.

Each perimeter channel must finish flush with the edges of the sheets. Simply tap the channel along the sheets until each end is neatly flush. If you need to remove channels from the panels, slide it off from the side.



**SNAPTITE**  
World's Easiest Assembly System  
*UNIQUE PATENTED SYSTEM*

Channel locks the shed panel into position without the need for screws!

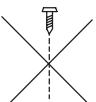
### FASTENING SYMBOLS

 SNAPTITE

Secure channel to sheeting by SNAPTITE fastening method.



Join components together with one screw at this location only, as some channels have extra holes that are not required for this model of shed.



Do not join components together at this location yet, as the screws may obstruct further assembly of the other components.



Join components together by pre-drilling the holes first. Use one component as template to mark where the holes are and drill with a 3mm drill bit.



3mm pop rivet



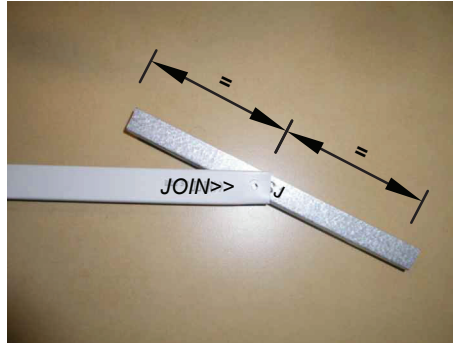
4mm nut and bolt set.

## Guide on Joining Spliced Channels

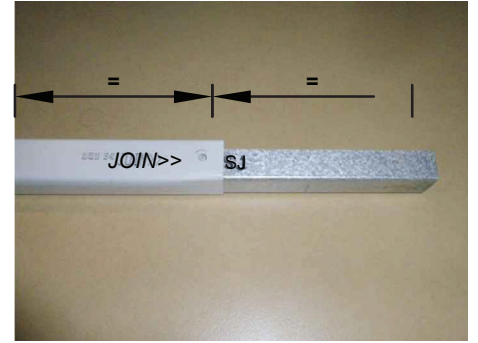
The text marked on all parts must be shown on the same side as each other



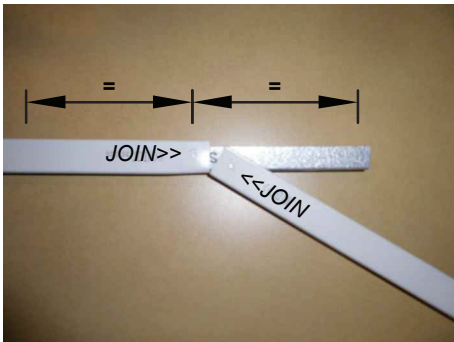
**Step 1.**  
Position the channels and the CSJ joiner so the centre of the CSJ is in line with the end of each channel to be joined together.



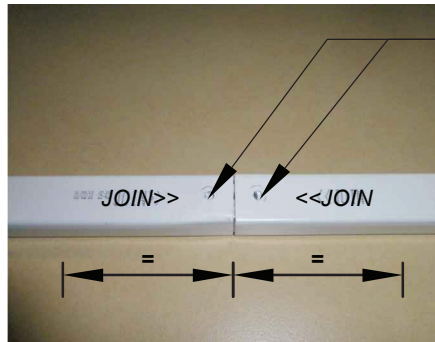
**Step 2.**  
Join the first channel to the CSJ by inserting the centre of the CSJ, on an angle, to the end of the channel where the JOIN>> text is marked.



Push down one side of the CSJ until you hear a 'click'.

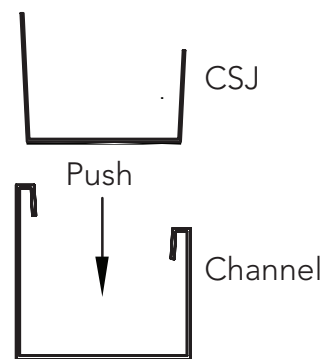


**Step 3.**  
Join the second channel to the CSJ by positioning the <<JOIN of the channel at the centre of the CSJ, on an angle. Push the CSJ into the channel until you hear a 'click'.

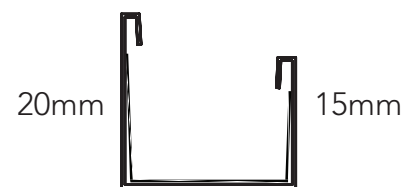


**Finished Channel.**  
The joined channels should now look like the picture with the CSJ positioned equally inside of the joined channels.

Drill out holes with 3mm drill bit in CSJ to match the holes in channel. Drilling of screws on the joined channels is being done after sheets are locked on the spliced channels.



...

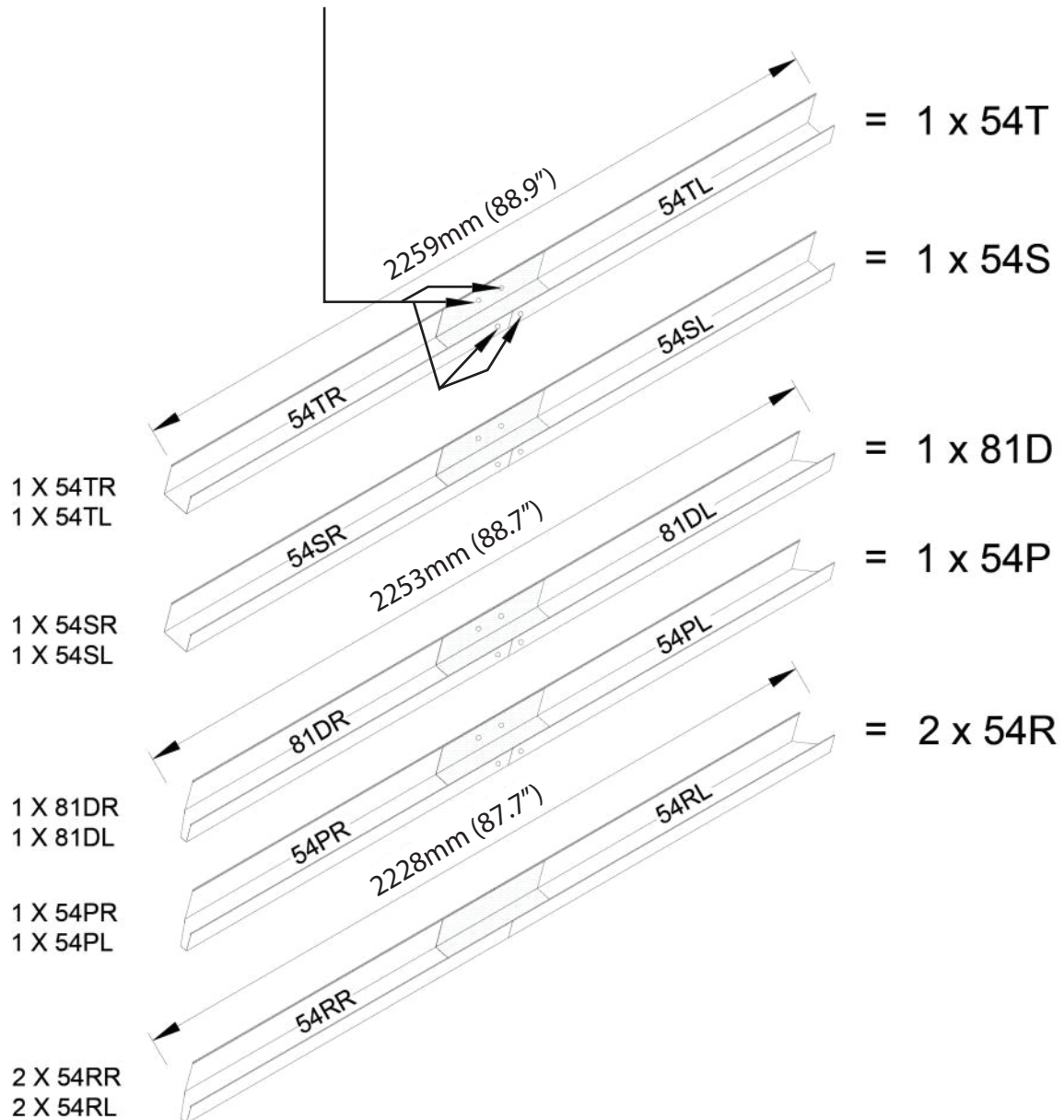


**Finished Spliced Channel**

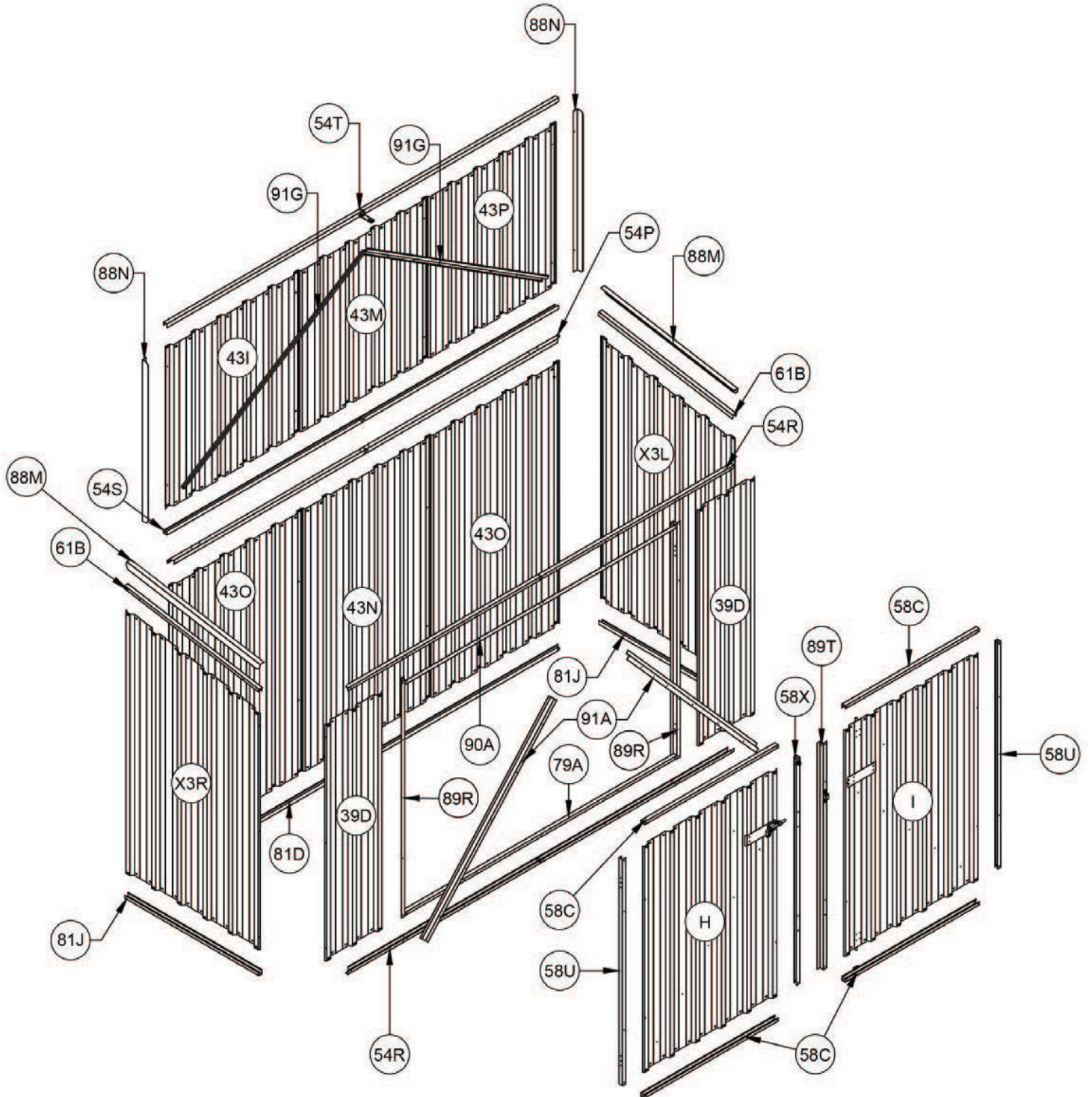
## PRE-ASSEMBLY OF SPLICED CHANNELS

Join together 12x channel sections using 6x channel joiners (Part CSJ)

NOTE: Some channels may have holes in them - You will need to redrill holes where CSJ joining channel covers them.



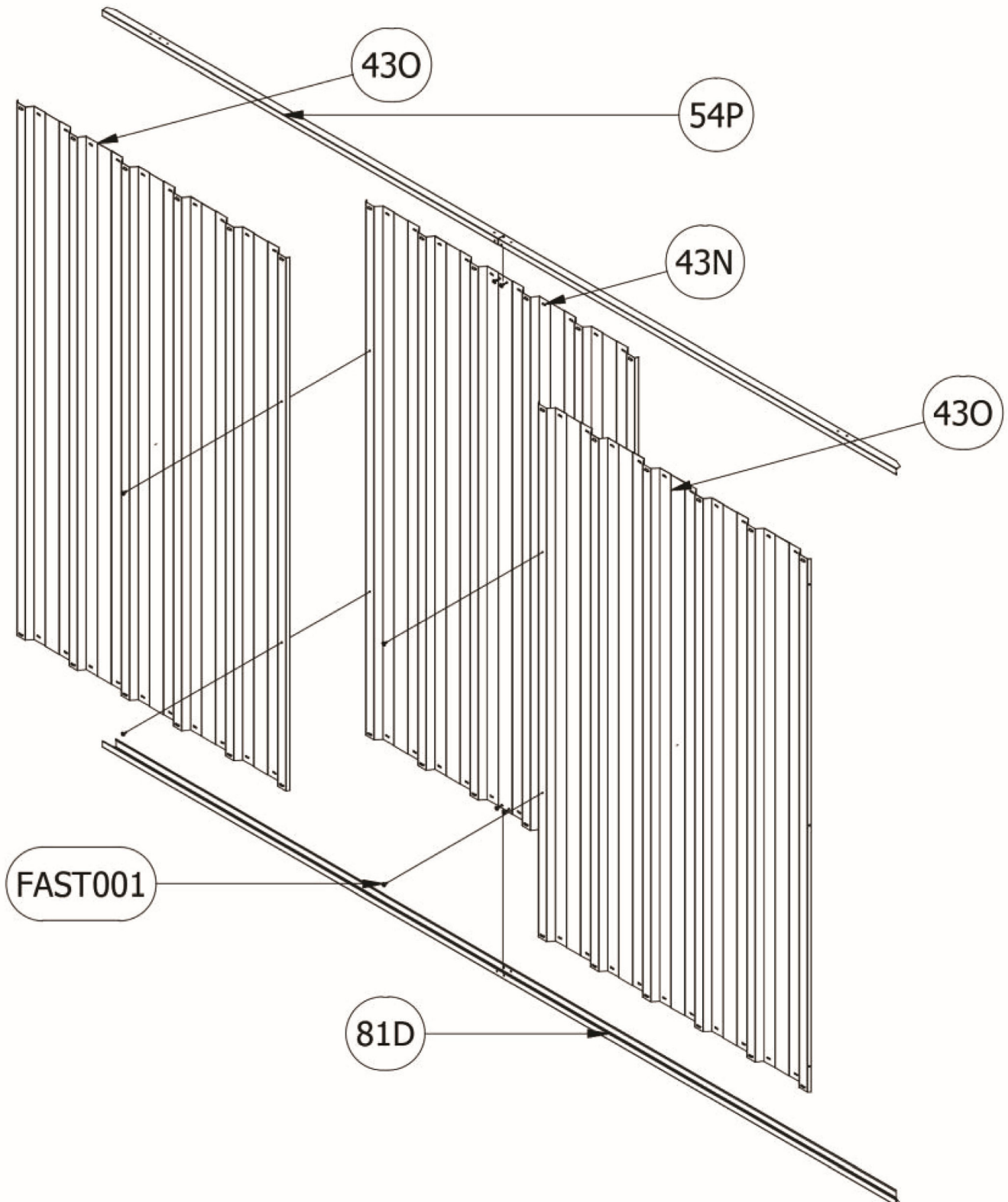
OVERVIEW OF WALL AND ROOF COMPONENTS





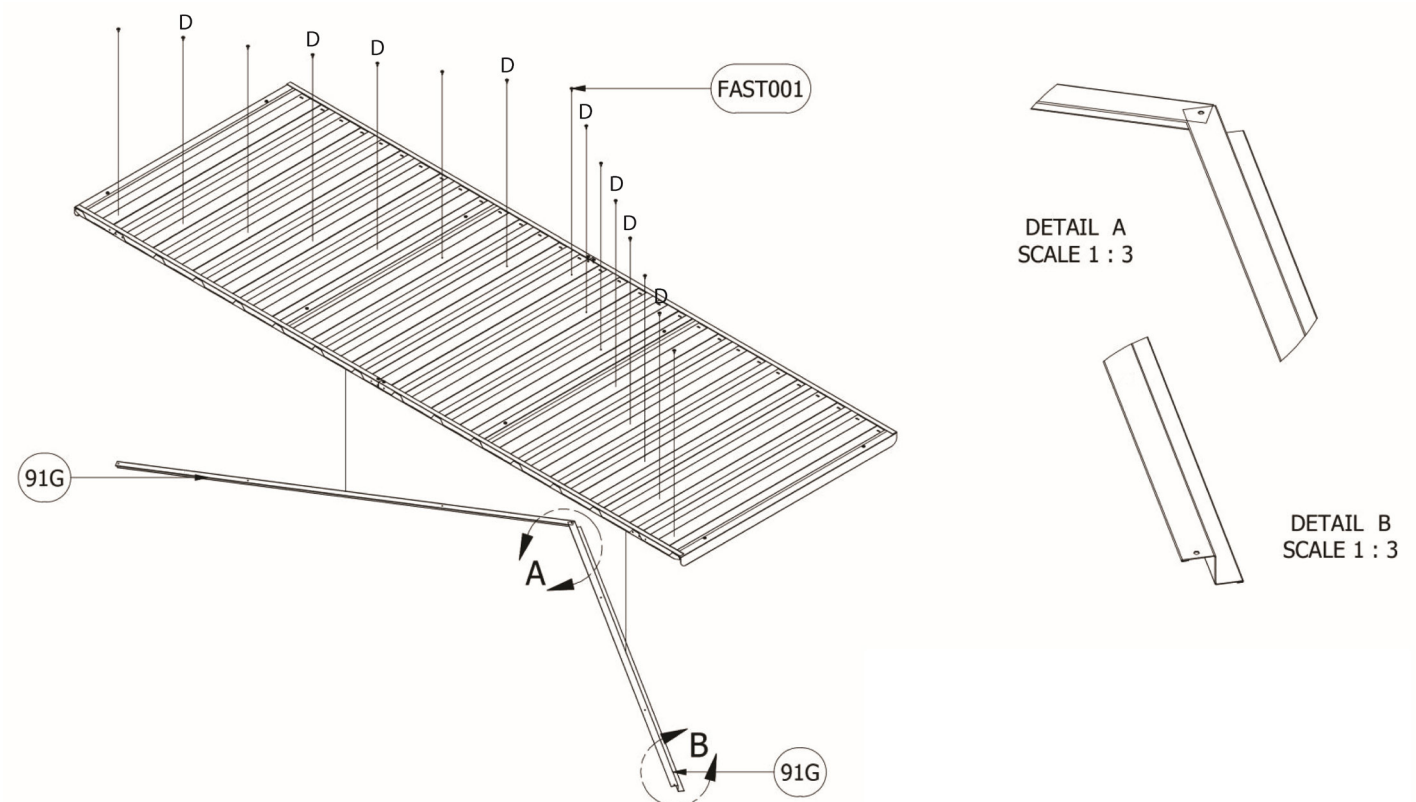
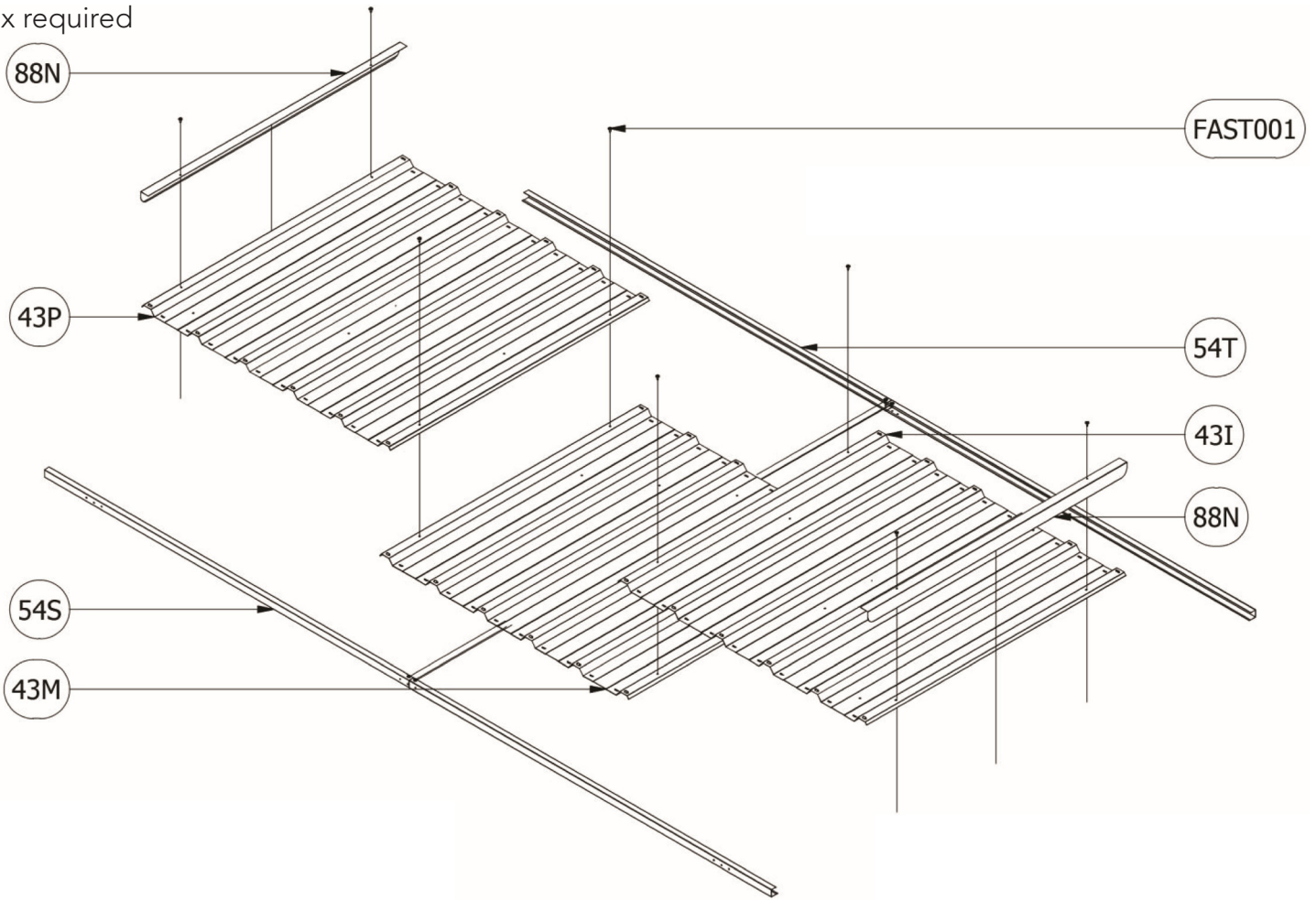
**REAR PANEL ASSEMBLY**

1x required



**ROOF PANEL ASSEMBLY**

1x required

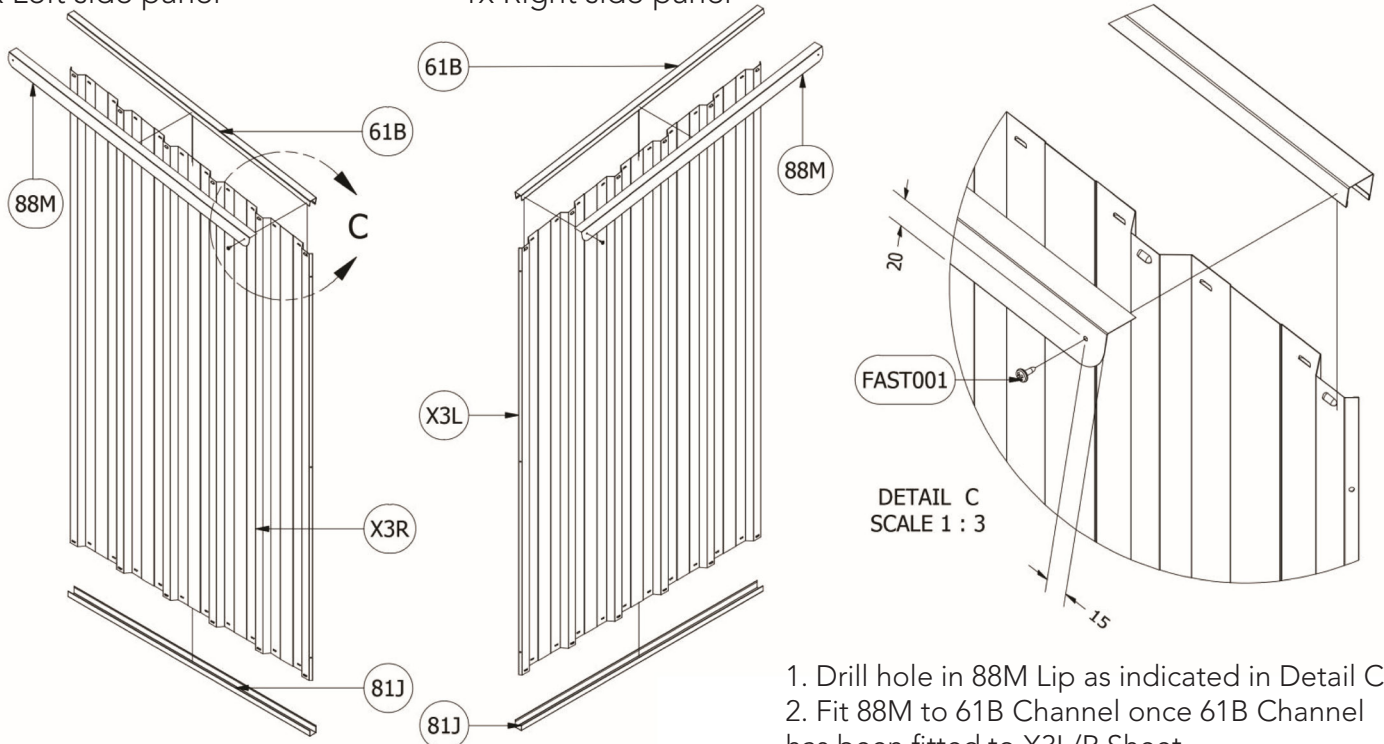


## SIDE PANEL ASSEMBLY

2x required

1x Left side panel

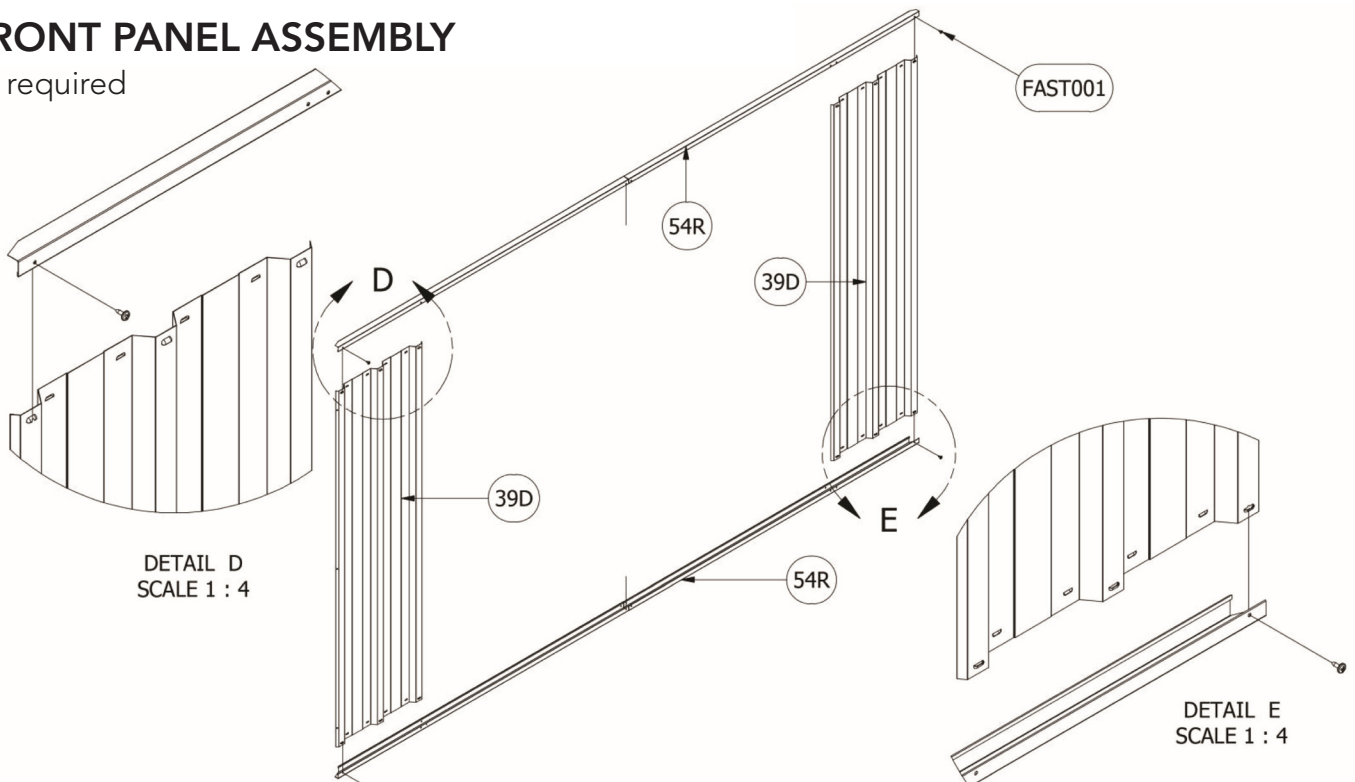
1x Right side panel



1. Drill hole in 88M Lip as indicated in Detail C.
2. Fit 88M to 61B Channel once 61B Channel has been fitted to X3L/R Sheet.

## FRONT PANEL ASSEMBLY

1x required



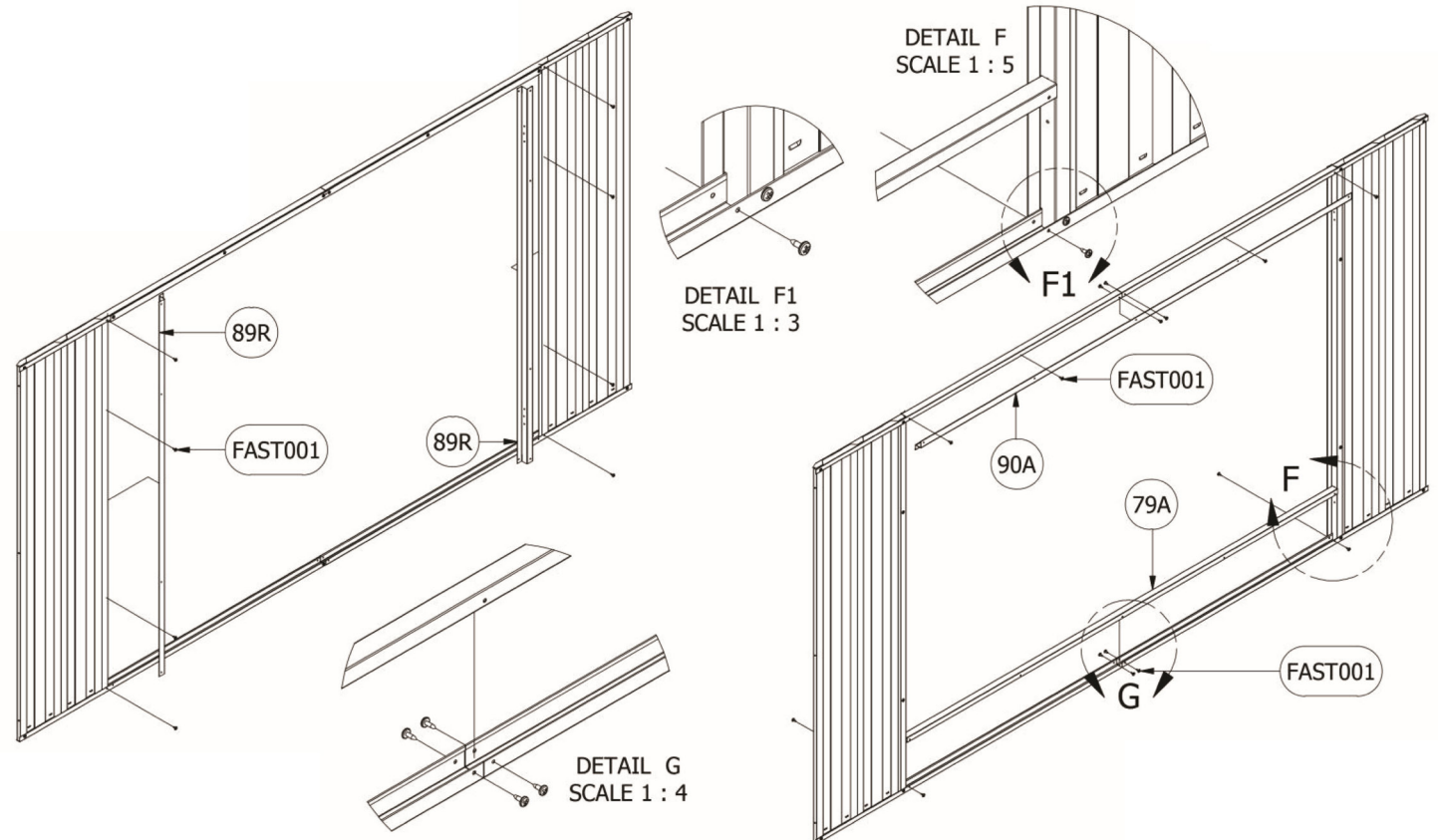
The FAST001 screws illustrated in this process locate the 54R channels onto the sheets in an important position which will determine correct alignment of the doors and lid. It is important that these are installed before proceeding further.

## FRONT PANEL ASSEMBLY

1x required

1. Ensure that 54R channels are secured to 39D sheets.
2. Place the 89R jambs into position by nesting end notches around the high edges of 54R channels.
3. Align top & bottom holes with corresponding holes in 54R channel and fit FAST001 screws.
4. Squeeze 89R against rib in 39D sheets to align 89R as straight as possible (check edge of jamb and edge of rib.)

7. Place the 90A jamb into position by nesting end notches around the edges of the 89R jambs.
8. Install FAST001 screws.



5. Pre-drill holes in 39D sheet using holes in 89R jamb as guide.
6. Install FAST001 screws.

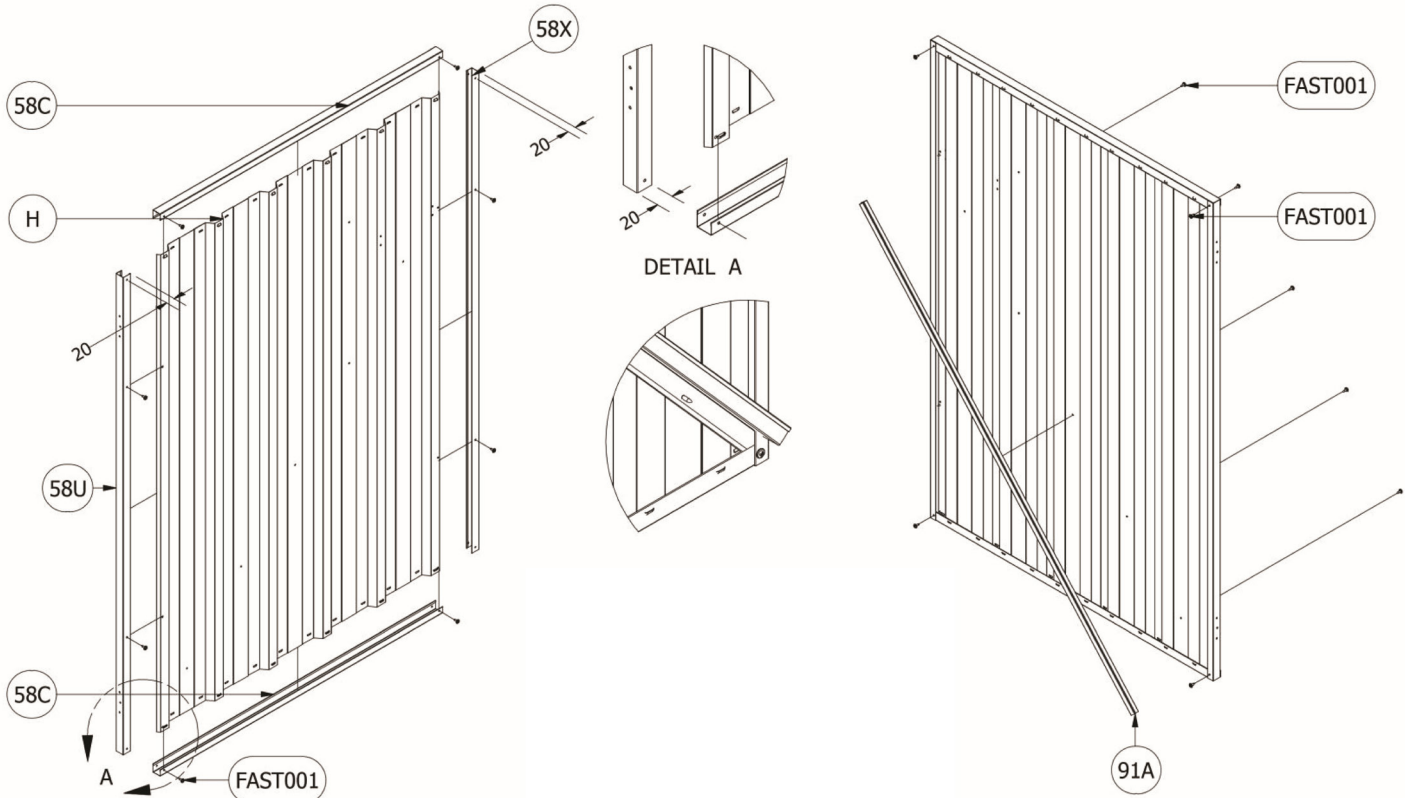
9. Place short side of 79A channel in front of short side of 54R Channel.
10. Install FAST001 screws.

## DOOR PANEL ASSEMBLY

### LEFT DOOR PANEL

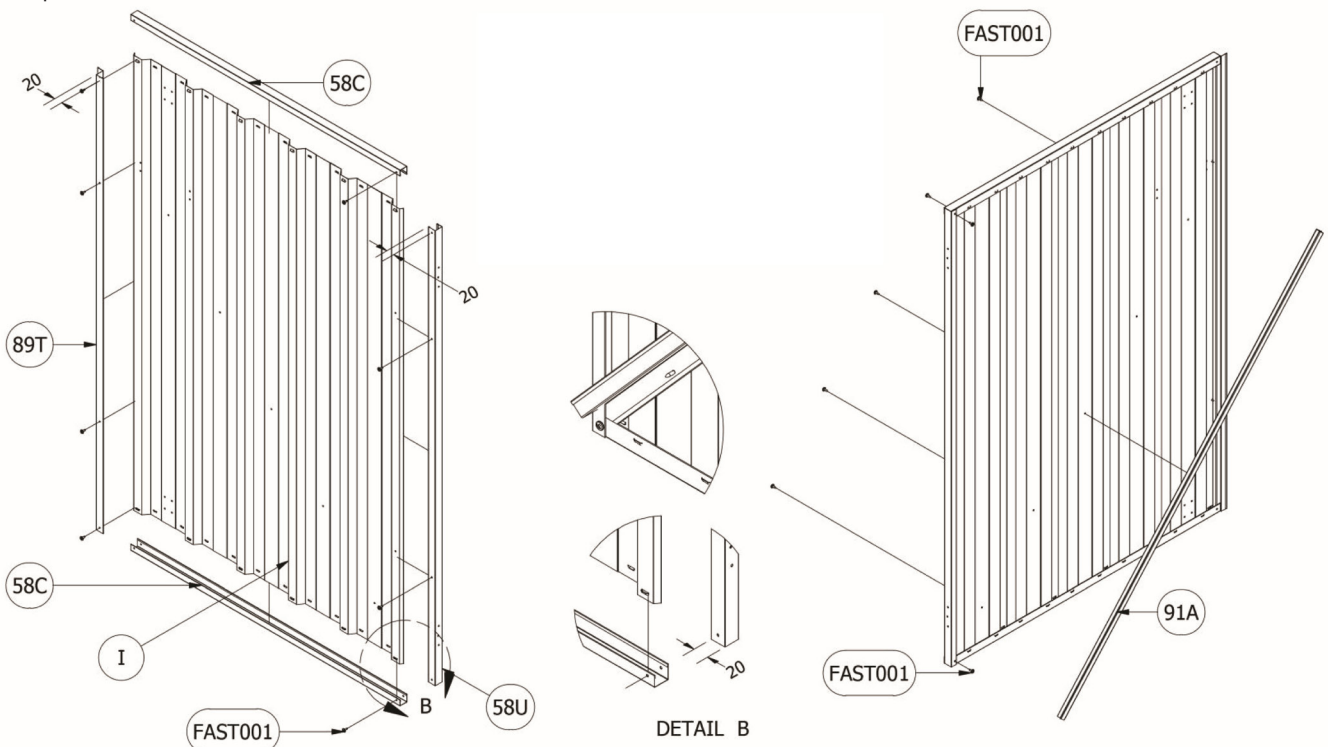
1x required

1. Tuck the 20mm face of the 91A jamb into the bottom 58C channel.
2. Install 2x FAST001 screw to each 91A jamb from back.
3. Install remaining FAST001 screws from front as illustrated.
4. Remove initial FAST001 screws and install from front as illustrated.
5. Remove initial FAST001 screws and install from front as illustrated.



### RIGHT DOOR PANEL

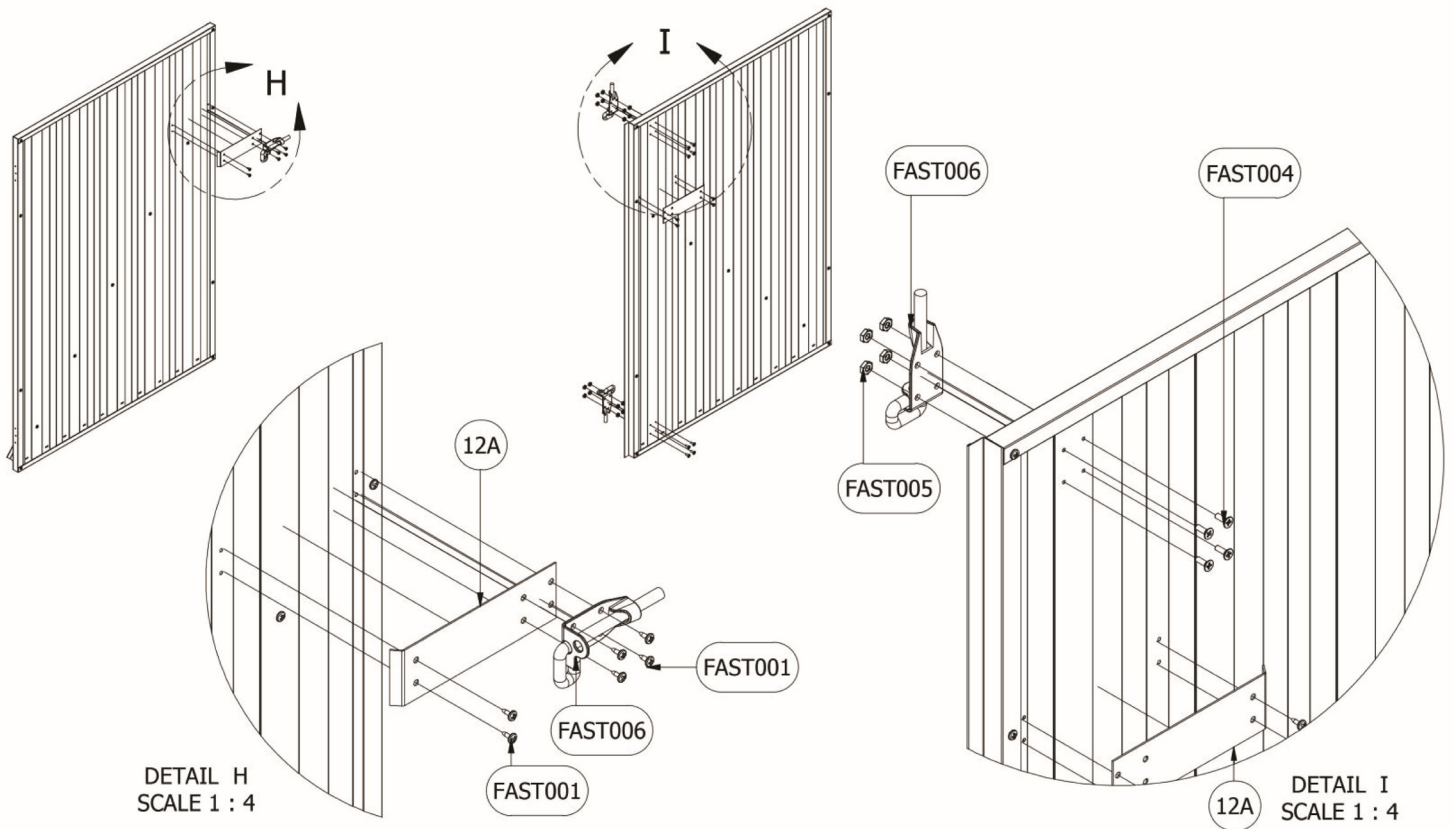
1x required



**DOOR PANEL ASSEMBLY**

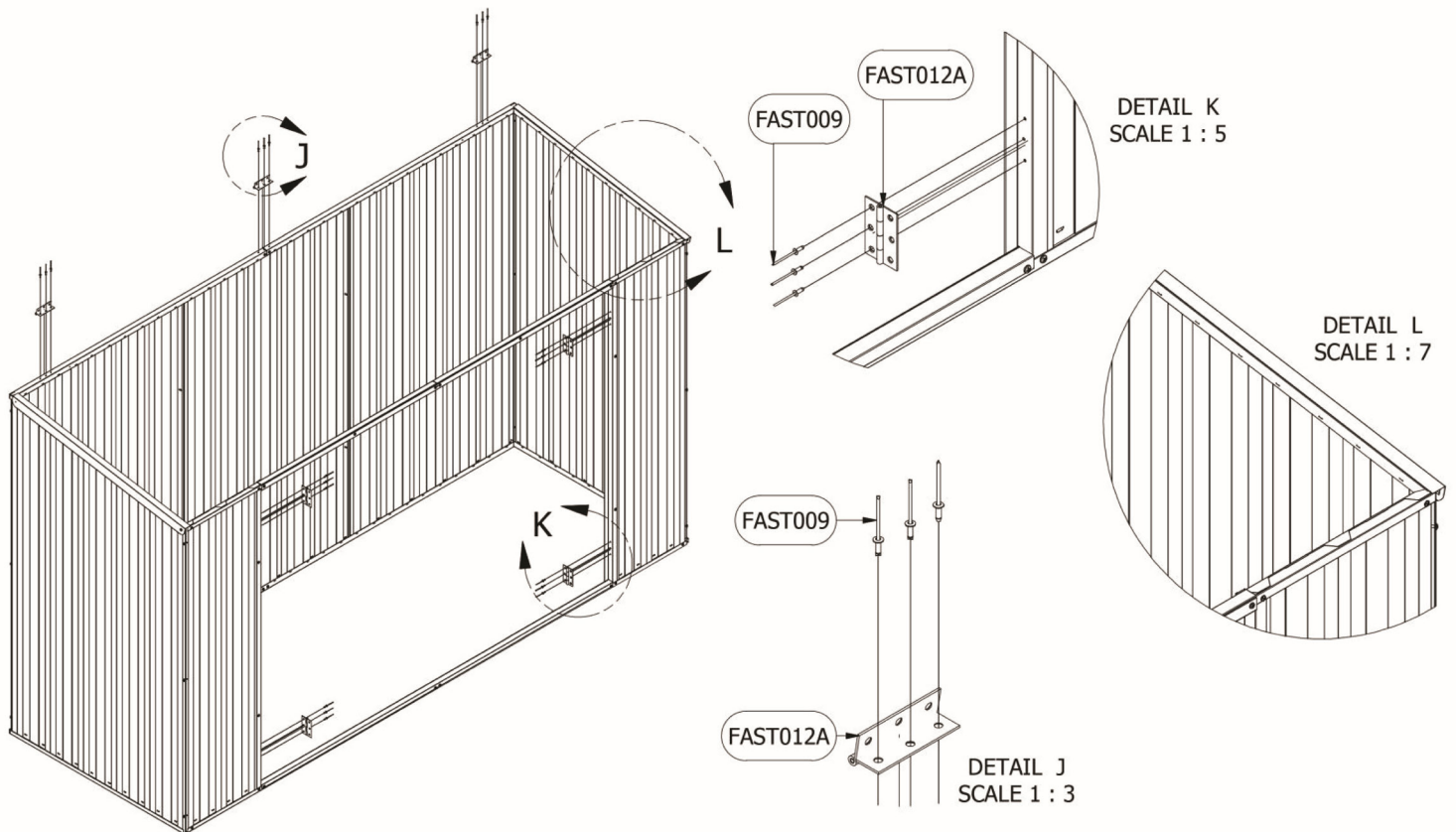
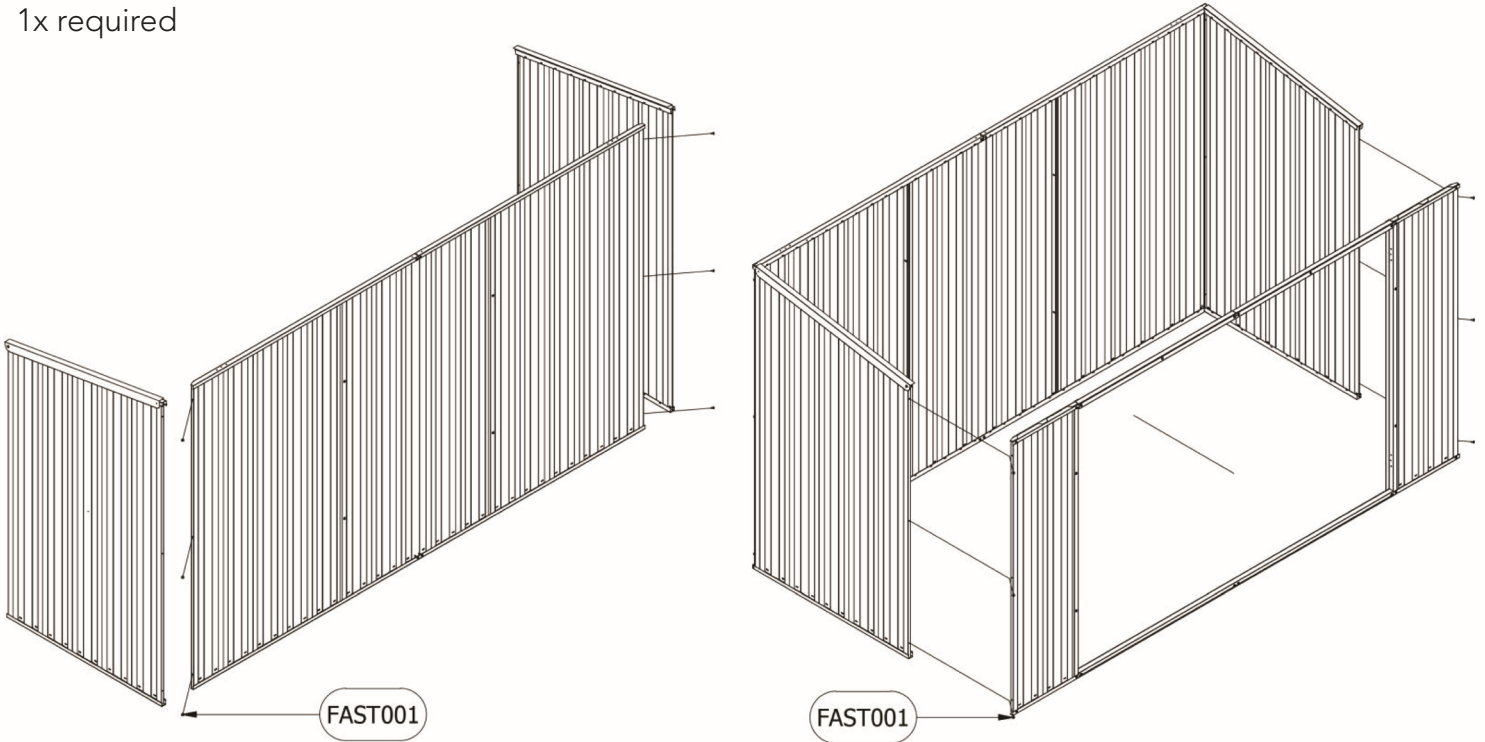
LEFT DOOR PANEL

RIGHT DOOR PANEL

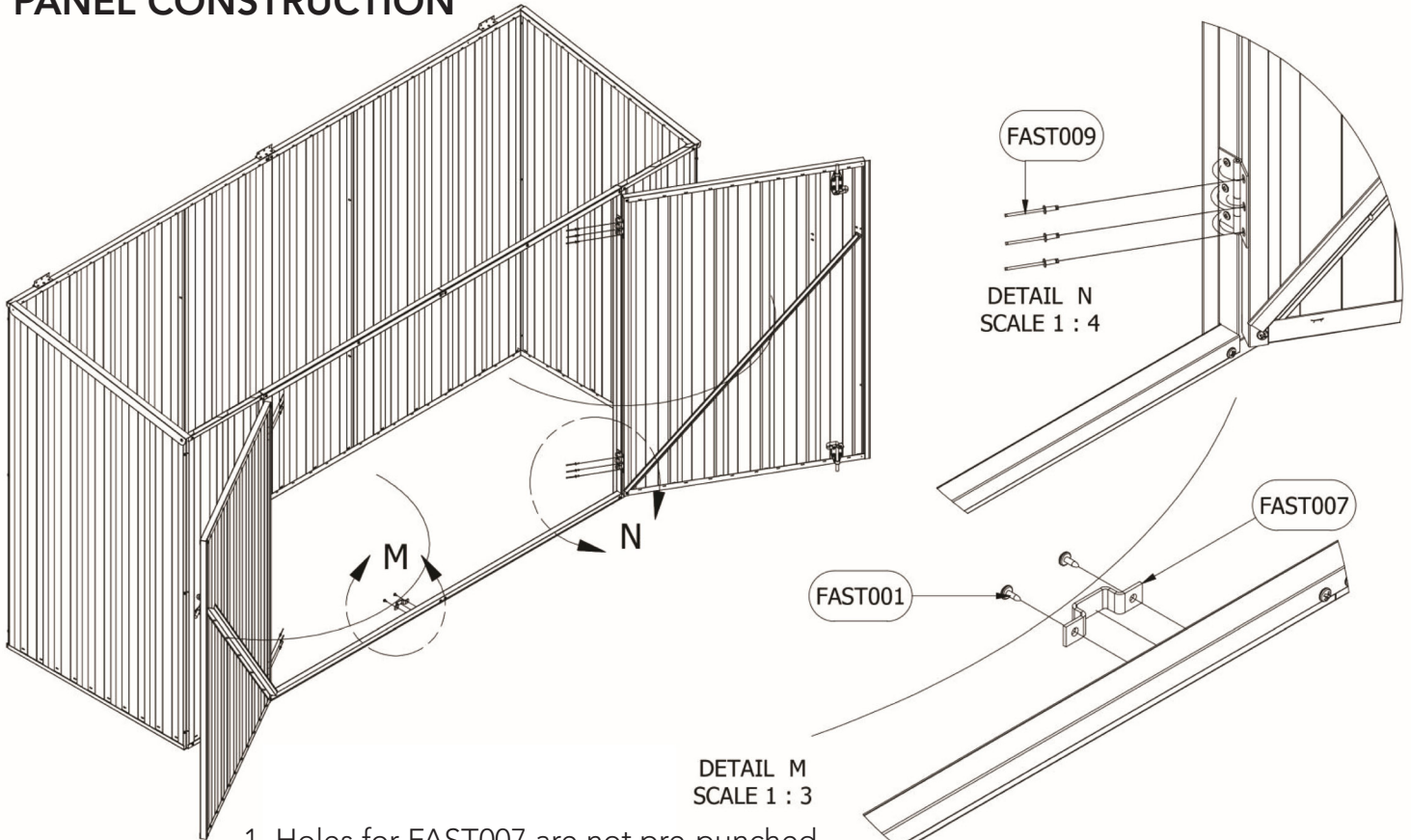


**PANEL CONSTRUCTION**

1x required

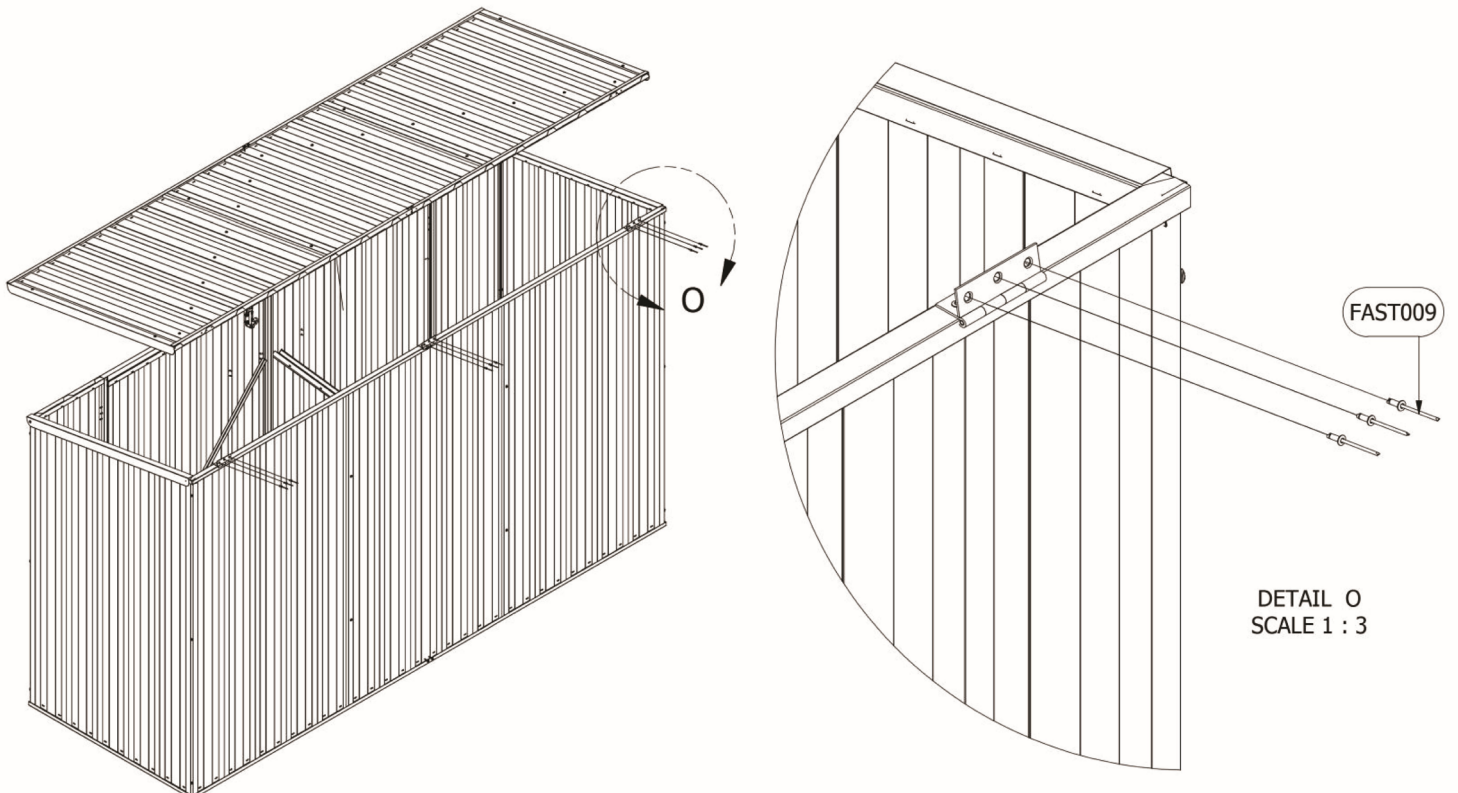


**PANEL CONSTRUCTION**



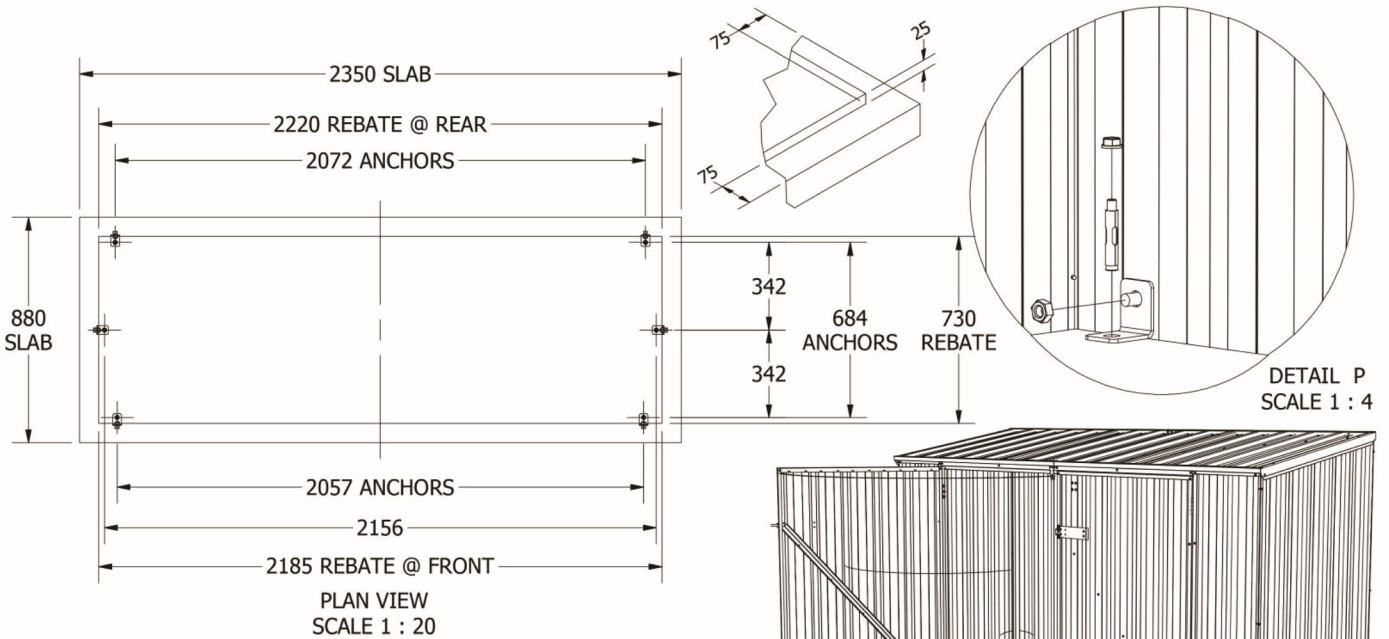
1. Holes for FAST007 are not pre-punched & will require drilling.

**FINAL CONSTRUCTION**

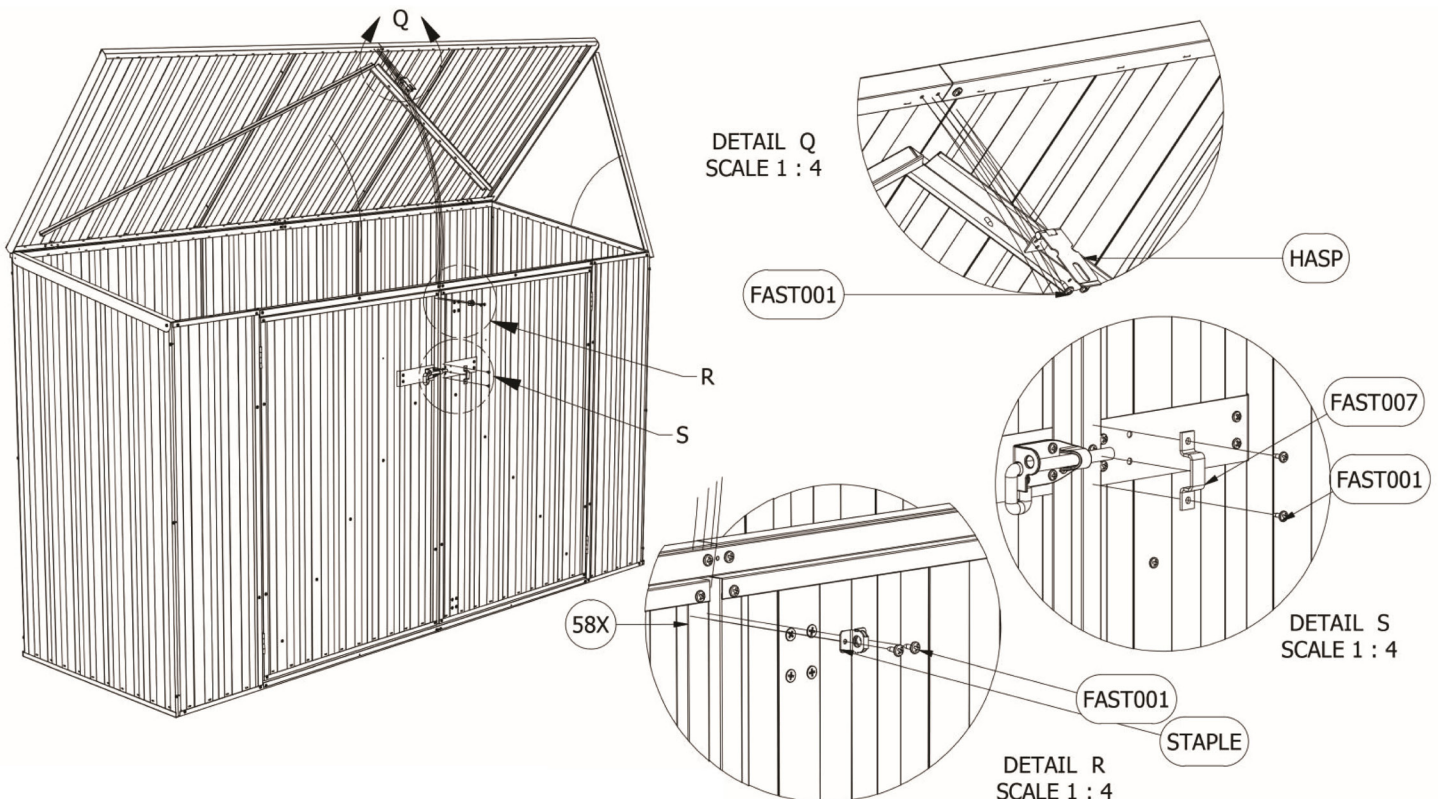




**FINAL CONSTRUCTION**



1. Prior to anchoring, the Lid panel can be maneuvered to align with the front panel.
2. Look for a neat fit with respect to the lid panel fitting over side panels.
3. Look for a neat alignment that aligns the Door panels relative to one another as square as possible.



## Absco Skillion Roof Shed Notes

### General

- 1.G This instruction manual shall be read in conjunction with other consultants drawings, specifications and written instructions provided by Absco and/or their representatives.
- 2.G The drawings provided herein are for installation and structural engineering purposes only. If discrepancies are discovered within the documentation provided, these shall be brought to the attention of Absco and written approvals obtained prior to commencing the affected section of work.
- 3.G If in doubt ask.
- 4.G Until approvals from the local authorities are obtained, commencement of construction from these drawings shall not commence.
- 5.G Unless varied by the project specification, all materials and workmanship shall be undertaken in accordance with the relevant Australian standards and the by-laws and ordinances of the relevant building authorities.
- 6.G All dimensions indicated in these drawings shall be verified on site by the installation contractor. Scaling of drawings shall not be undertaken.
- 7.G Prior to commencing works on site, the contractor shall verify the position of all services in the area to ensure that the construction does not interfere with any of those services.
- 8.G During installation on site the shed structures shall be maintained in a stable condition with no part becoming overstressed or permanently deformed.

## Absco Sheds Storage Guidelines

- Absco Sheds are designed to be weatherproof for normal weather conditions. In the event of extreme weather conditions such as heavy rain, combined with high wind gusts, the ridge capping, sheeting joints, screw fixings etc., may exhibit minor deformations which may allow some water entry. These areas should be checked regularly to ensure that maximum strength and protection is maintained.
- Other weather conditions such as extreme heat and extreme cold, moist or dry air can influence the effects of concrete floor moisture and/or condensation on the underside of the roof sheets.
- Absco Sheds and storage units are primarily used for storage of garden equipment such as lawnmowers, wheelbarrows, garden tools etc. Storage items that might be adversely affected by any of the above conditions may require additional protection such as being sealed or covered by plastic sheets and/or stacked above the concrete floor on timber slats.
- Waterproof sealants may be used to offer further protection where required around joins and screw fixings, as can rubber door seals and other products which are available from most hardware outlets.
- Placement of waterproof sealants (silicone) between the base of the shed and concrete slab is not recommended, as this process can have a reverse effect, preventing excess water from escaping, resulting with water accumulating and being trapped inside the shed.
- Absco accepts no responsibility for water entry, floor moisture, condensation or the condition of the Contents inside your Absco steel building arising from any of the pre-mentioned weather conditions.

# Lifetime Warranty Statement



This warranty against defects is given by:

Absco Industries (ABN: 77 869 708 678)  
Address: PO Box 119 Acacia Ridge QLD 4110  
Ph: 1800 029 701  
Fax: 07 3344 1191  
Email: admin@absco.com.au

**Date of issue:** 18 November 2022

## Details of Manufacturer's Warranty

This product comes with a Lifetime structural warranty from the date of purchase. This warranty also applies where there are missing or damaged parts identified in the parts list referred to in the instruction kit within the product packaging.

Please ensure that you keep this warranty form in a safe place along with your proof of purchase. You can register your warranty online <http://abscohedds.com.au/warranty-details/> or complete the form on the back of this document and mail it back to Absco, along with a copy of your proof of purchase.

The benefits of this warranty are in addition to your rights under the Australian Consumer Law (ACL) and in particular, the guarantees implied under the ACL and any other rights and remedies of the consumer under a similar law in relation to the goods and services to which this warranty relates.

## Process of claiming warranty:

To make a claim under the warranty within the warranty period, you will need to contact the manufacturer directly by phone or email:

**Contact Number:** 1800 029 701  
**Contact Email:** admin@absco.com.au

You will be required to produce proof of purchase (this is at discretion of the manufacturer) at the time of the claim.

The manufacturer bears the cost of replacing the products or spare parts or repairing the products and reasonable direct expenses of claiming under this warranty:

Where parts are replaced, the manufacturer will bear the cost of sending the spare part and will endeavour to deliver it to the customer's nearest reseller within 20 working days for the customer to pick up. At such time the customer may be required to return the alleged faulty parts.

Where assessment is required in case of replacing or repairing the product, the manufacturer will appoint an assessor within 10 working days to identify the alleged defect. The manufacturer will bear the repair costs by appointing a local tradesman. The manufacturer may choose to replace the product if the repair or the cost of repair is not feasible. The replacement product will be available for collection from the nearest reseller within 20 working days. The customer will bear the cost of assembly for the replacement product.

## **IMPORTANT**

### **1. Manufacturer's Disclosure**

This warranty against defects shall not apply in the following situations:

- A) Where the product is not assembled in accordance with the instructions provided in the product kit;
- B) Where the product is used to store corrosive materials such as fertilizer, chlorine etc;
- C) The warranty does NOT cover damage caused by storms, wind, rain, snow or poor foundations;
- D) This warranty does not apply to surface deterioration of panels caused by 'Swarf' (Tiny particles of steel debris left from cutting, grinding or drilling operations) that has not been removed after building construction.
- E) This warranty does not apply to ABSCO products installed in severe coastal, Industrial, or other highly corrosive environments. The warranty does apply to fasteners (screws, nuts, bolts, rivets, hasps, or bolts).

### **2. Notes**

This product is weatherproof to a certain level; however driving windy rain may cause the product to leak. Condensation may also occur in some weather conditions such as extreme heat or cold. The product should only be used for storing items such as gardening equipment and should not be used for articles that may be prone to damage if they come into contact with moisture.

### **3. Major Defects**

If the manufacturer is satisfied that the defect is a major defect, the purchase price may be refunded in lieu of providing a replacement product or repairing the product.

This warranty is provided in addition to other rights and remedies you have under law: Our goods come with guarantees which cannot be excluded under the Australian Consumer Law. You are entitled to replacement or refund for a major failure and to compensation for other reasonably foreseeable loss or damage. You are also entitled to have the goods repaired or replaced if the goods fail to be of acceptable quality and the failure does not amount to a major failure.

**If you do not wish to register your warranty online, complete the below form and email, fax or post this form back to Absco, along with a copy of your proof of purchase.**

**NAME:**

---

**STREET ADDRESS:**

---

**POSTAL / ZIP CODE:**

---

**STATE / CITY / PROVINCE / REGION:**

---

**COUNTRY:**

---

**SHED TYPE/CODE:**

---

**ORDER NO:**

---

**DATE OF PURCHASE:**

---

**EMAIL ADDRESS:**

---

**DATE REGISTERED:**

---

